

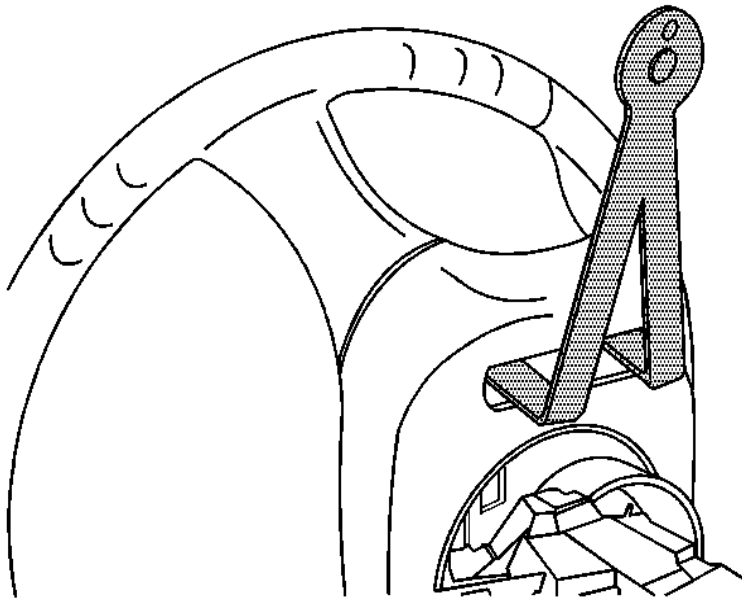
Document ID# 805497
2001 Pontiac Grand Prix

Inflatable Restraint Steering Wheel Module Replacement

Tools Required

[J 44298](#) Driver Air Bag Removal Tool

[Removal Procedure](#)



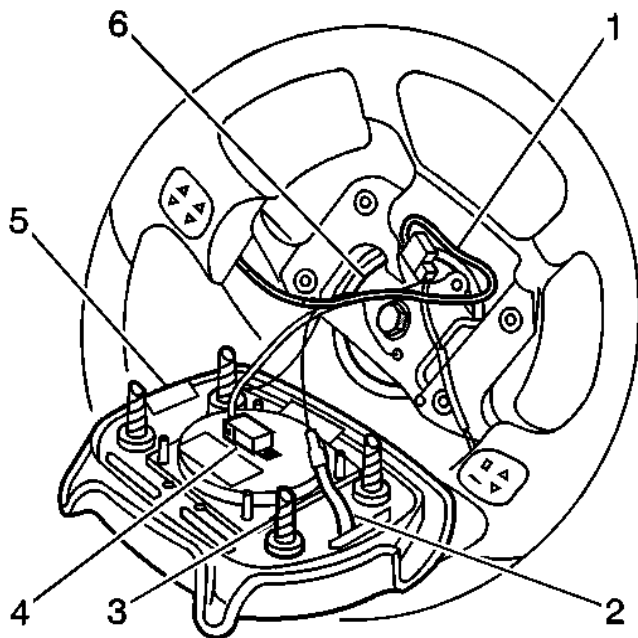
1. Disable the SIR system. Refer to [Disabling the SIR System](#) .
2. If the vehicle is equipped with a tilt steering column, lower the steering wheel.
3. On the back side of steering wheel are 4 openings for removing the driver inflator module. Turn the steering wheel until 2 of the openings are on the top.

4. Adjust and install [J 44298](#) into the 2 openings.

Important

Seat the air bag removal tool all the way in to perform properly.

5. Push the handle back towards the I/P, releasing the 2 spring loaded fasteners at the same time.
6. Turn the steering wheel and repeat the same steps for the other 2 openings.



7. Pull the driver inflator module gently away from the steering wheel.

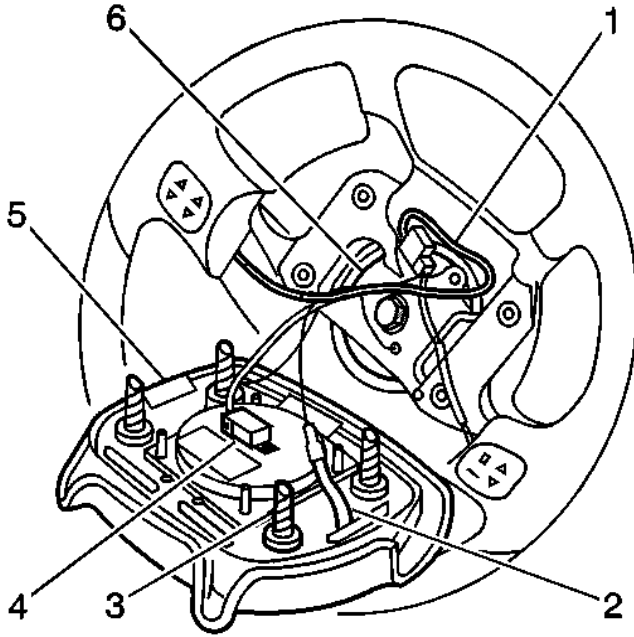
Important

Note the inflator module wire routing positions, the redundant control routing positions, and the horn wire routing positions for correct assembly.

8. Remove the connector position assurance (CPA) (4) and the inflator module electrical connector.
9. Rotate the horn contact lead (2) counterclockwise $\frac{1}{4}$ turn. The lead is located in the center of the steering wheel column. Remove the horn contact lead from the steering column.
10. Remove the inflatable restraint steering wheel module (5).

11. Fully deploy the module before disposal. If the module was replaced under warranty, fully deploy and dispose of the module after the required retention period. Refer to [Inflator Module Handling and Scrapping](#) .

[Installation Procedure](#)



1. Press in and rotate the horn contact lead (2) clockwise $\frac{1}{4}$ turn.
2. Install the inflator module electrical connector and the CPA (4).
3. Make sure all wires are routed correctly. Align the inflator module retainers to the steering wheel holes.
4. Install the inflator module to the steering wheel by pushing on both sides of the inflator module until the retaining springs engage.
5. Test the operation of the horn. If the horn doesn't work, remove the module and inspect the wire connection.
6. Return the steering wheel to the original position.
7. Enable the SIR system. Refer to [Enabling the SIR System](#) .

Document ID# 805497
2001 Pontiac Grand Prix