

Document ID# 652338
2001 Pontiac Grand Prix

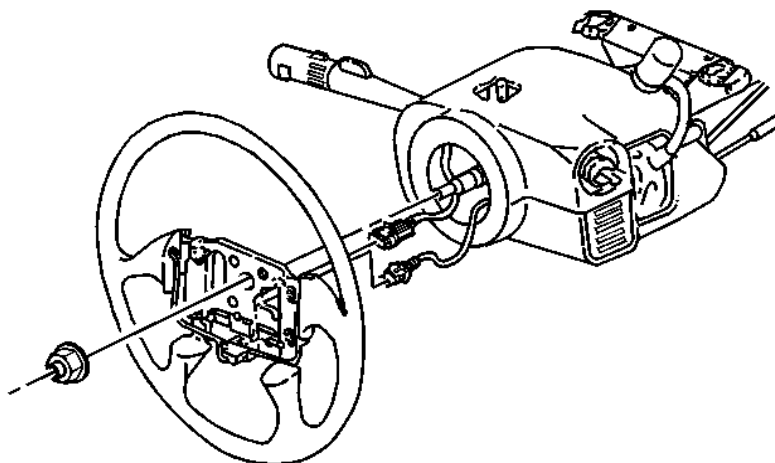
Steering Wheel Replacement

Tools Required

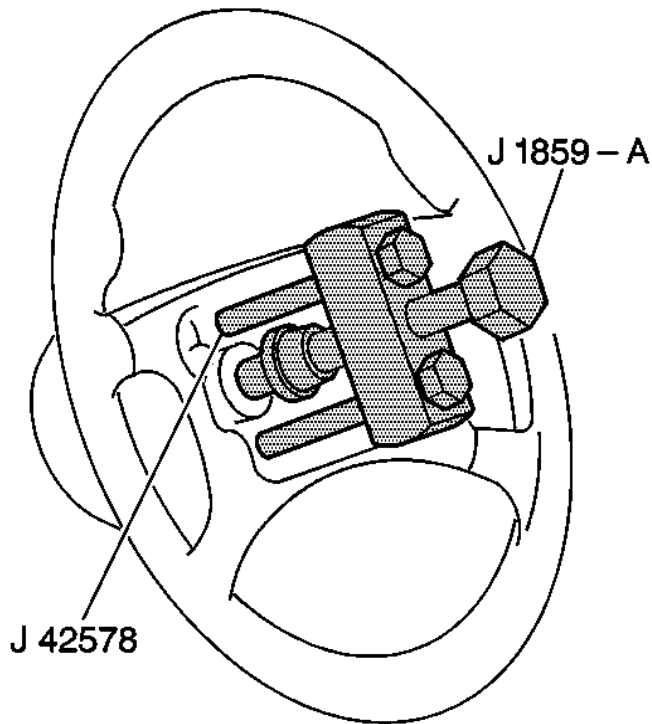
- [J 1859-03](#) Steering Wheel Puller
- [J 42578](#) Steering Wheel Puller Legs

Removal Procedure

1. Disable the SIR system. Refer to [Disabling the SIR System](#) in SIR.
2. Position the ignition to the OFF position.
3. Remove the inflatable restraint steering wheel module. Refer to [Inflatable Restraint Steering Wheel Module Replacement](#) in SIR.
4. Scribe an alignment mark on the steering wheel hub. Align the mark with the slash mark on the steering shaft.

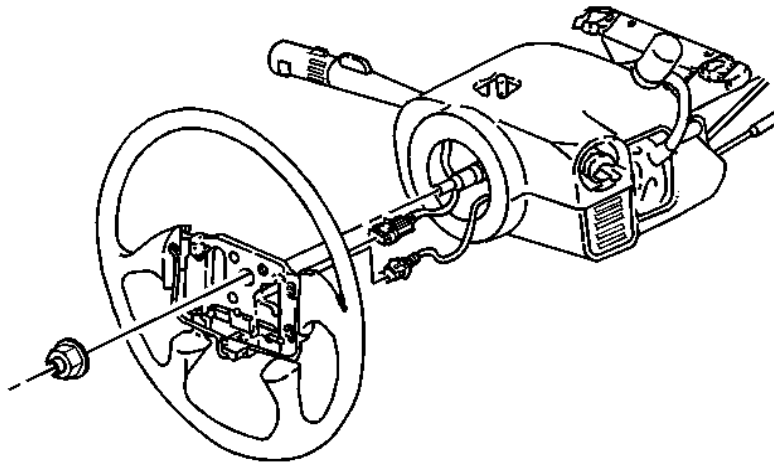


5. Loosen the steering wheel nut.
6. Position the nut flush with the end of the shaft.



7. Assemble [J 1859-03](#) and the [J 42578](#) on the steering wheel.
8. Using [J 1859-03](#) remove the steering wheel from the steering shaft.
9. Remove the steering shaft nut.
10. Remove the steering wheel from the steering shaft.
11. Unroute the SIR connector from the steering wheel.

[Installation Procedure](#)



1. Route the SIR connector through the steering wheel.
2. Align the scribe mark on the steering wheel (2) with the slash mark on the steering shaft.
3. Install the steering wheel.

Notice

Use the correct fastener in the correct location. Replacement fasteners must be the correct part number for that application. Fasteners requiring replacement or fasteners requiring the use of thread locking compound or sealant are identified in the service procedure. Do not use paints, lubricants, or corrosion inhibitors on fasteners or fastener joint surfaces unless specified. These coatings affect fastener torque and joint clamping force and may damage the fastener. Use the correct tightening sequence and specifications when installing fasteners in order to avoid damage to parts and systems.

4. Install the steering shaft nut. **Tighten**

Tighten the steering shaft nut to 45 N·m (33 lb ft).

5. Install the inflatable restraint steering wheel module. Refer to [Inflatable Restraint Steering Wheel Module Replacement](#) in SIR.
6. Enable the SIR system. Refer to [Enabling the SIR System](#) in SIR.

7. Inspect the operation of the following components:

- The horn
- The steering wheel
- The steering wheel controls

Document ID# 652338
2001 Pontiac Grand Prix