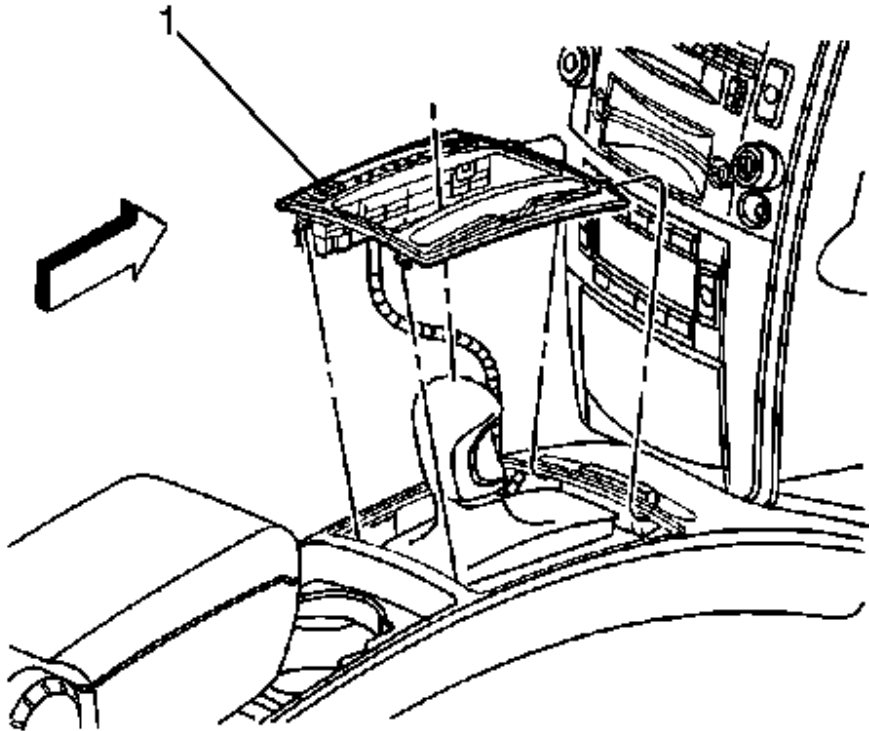


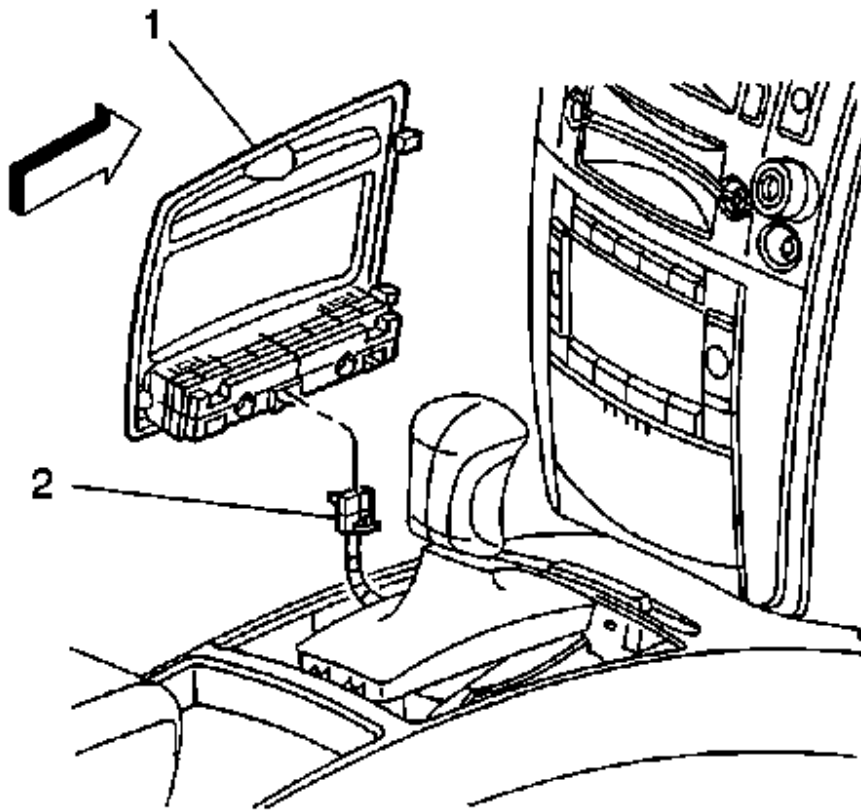
Console Replacement - Front Floor

CONSOLE REPLACEMENT - FRONT FLOOR

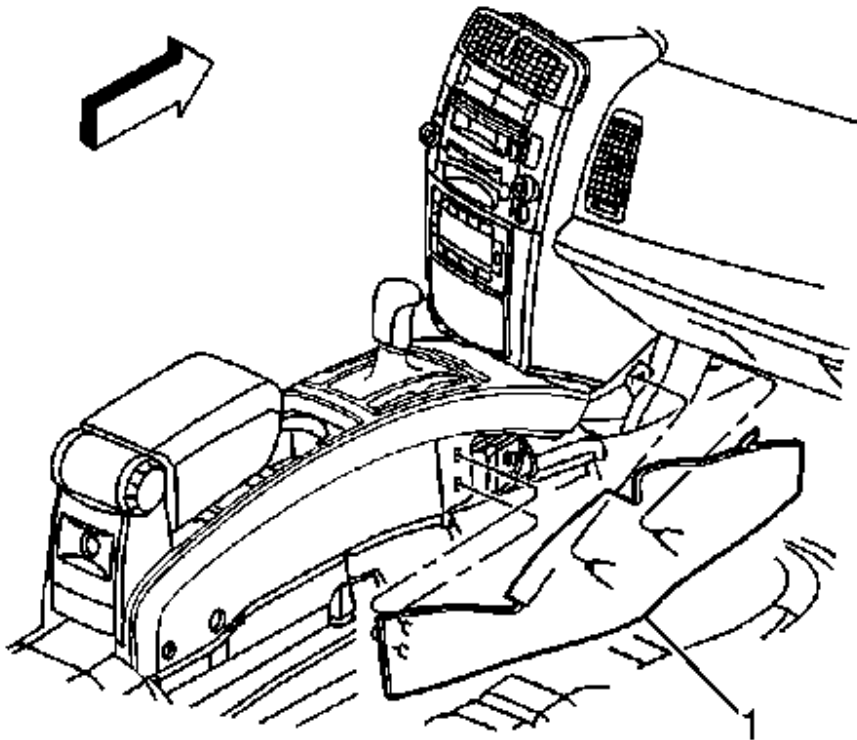
REPAIR PROCEDURE



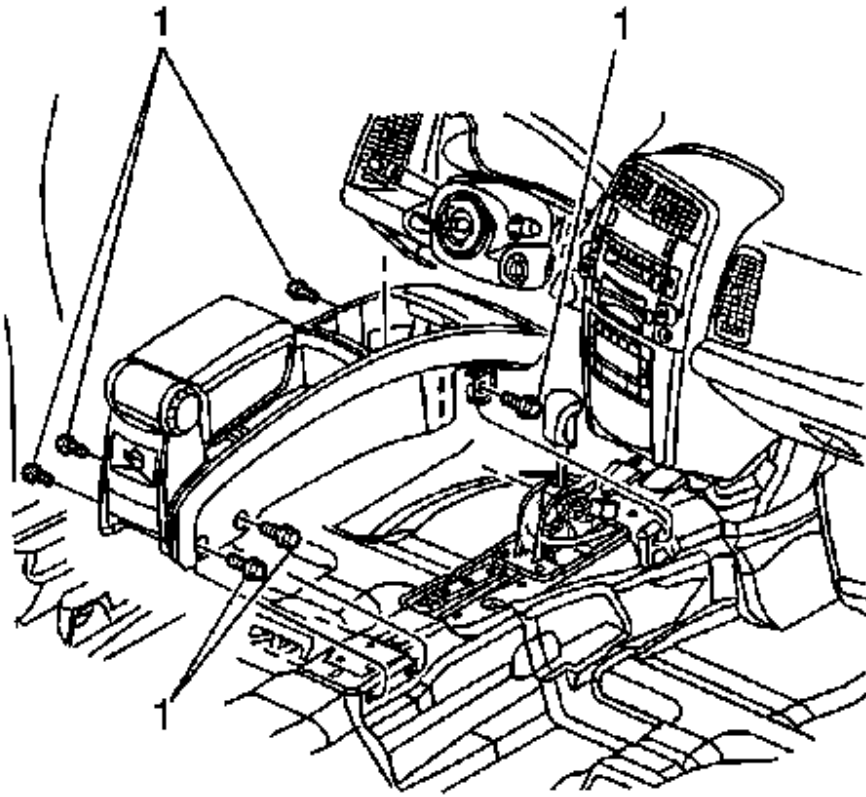
1. Remove the shifter trim cover (1).



2. Disconnect the electrical connector (2) from the shifter trim cover (1).

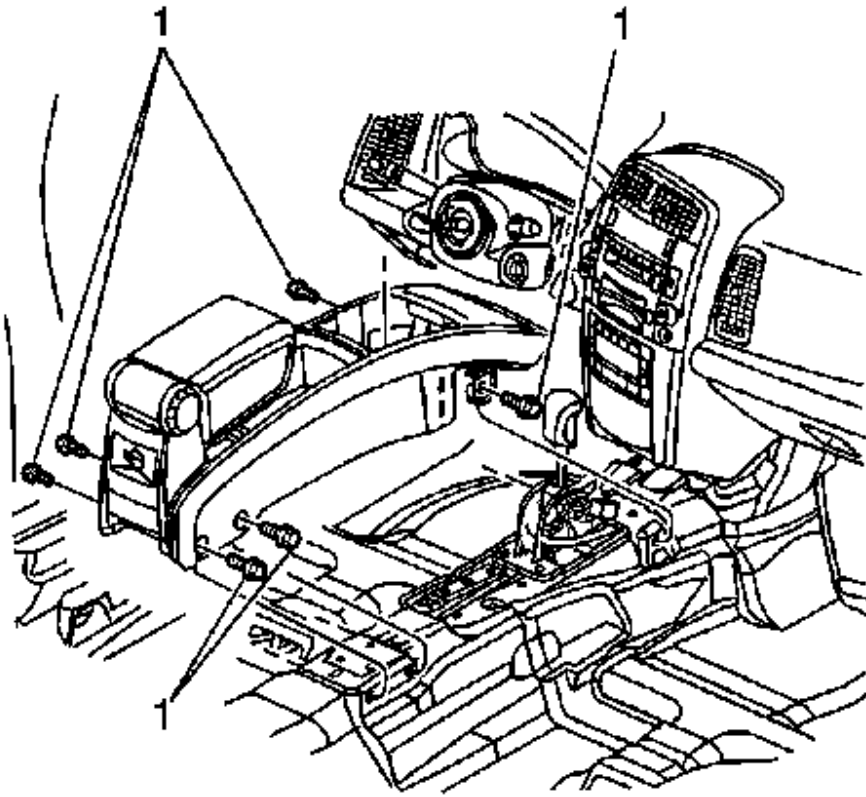


3. Remove the console side trim panels (1).

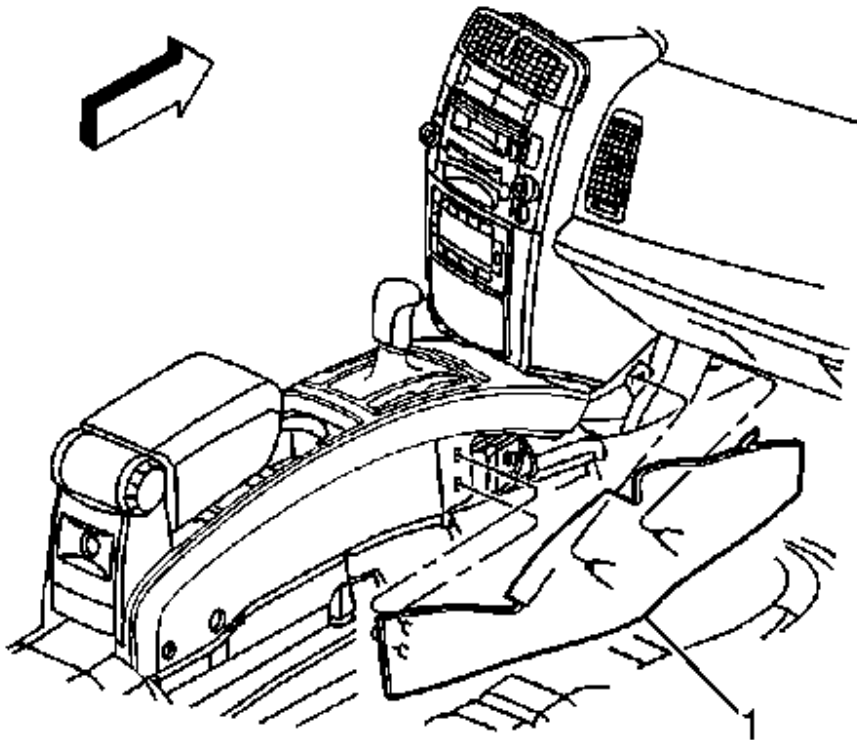


4. Remove the 6 screws (1) securing the console to the floor.
5. Remove the console from the vehicle.

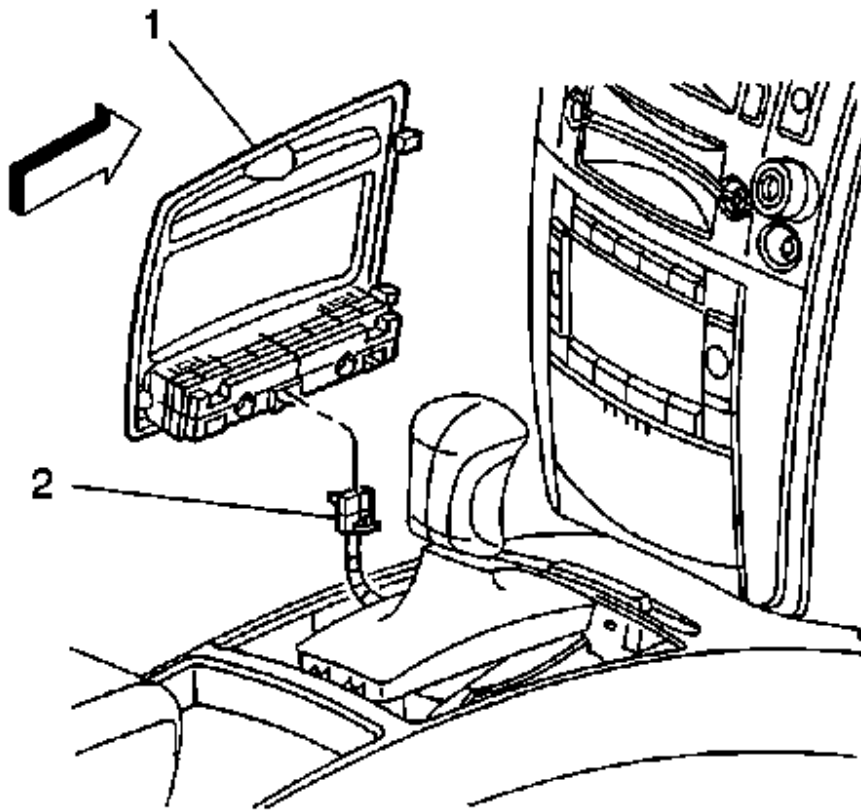
INSTALLATION PROCEDURE



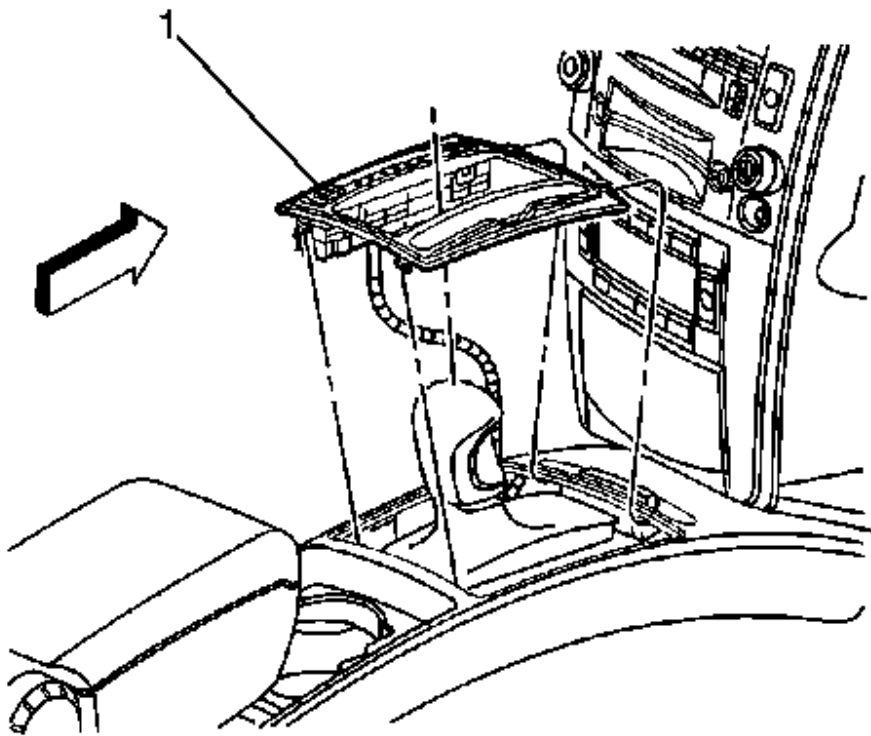
1. Position the console on the floor of the vehicle. **NOTE** : Refer to Fastener Notice in Service Precautions.
2. Install the screws (1) securing the console to the floor. Tighten the fasteners to **25 N.m (18 lb ft)** .



3. Install the console side [trim panels](#) (1).



4. Install the shift indicator lamp electrical connector (2).



5. Install the shifter trim cover (1).