

&lt;- Back

Forward -&gt;

Document ID# 754381  
2005 Cadillac CTS

Print

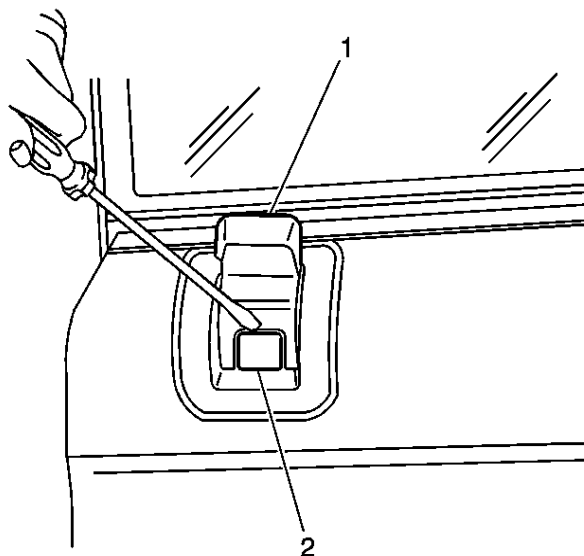
# Trim Panel Replacement - Side Front Door

## Tools Required

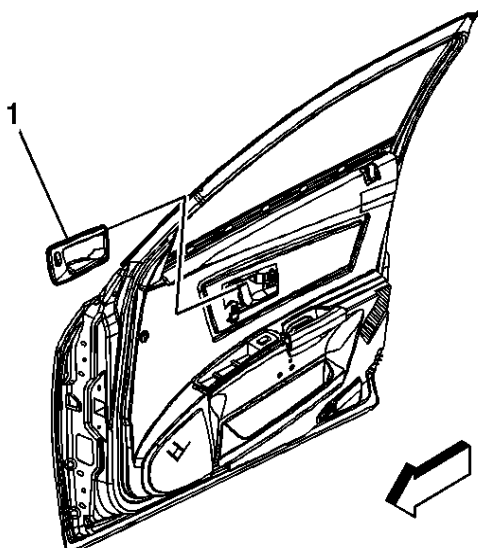
[J 36796](#) Clip Zip Clip Removal Tool

## Removal Procedure

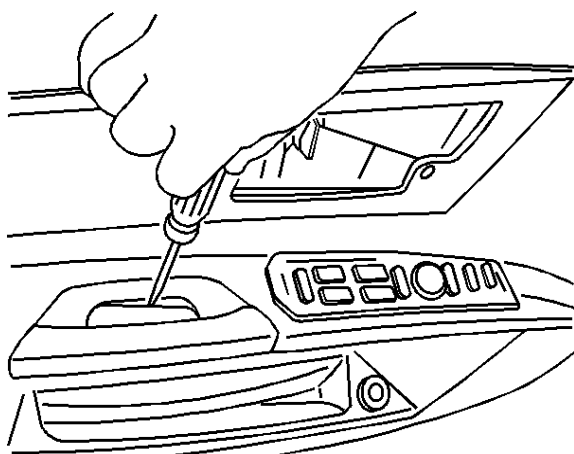
1. Lower the window.



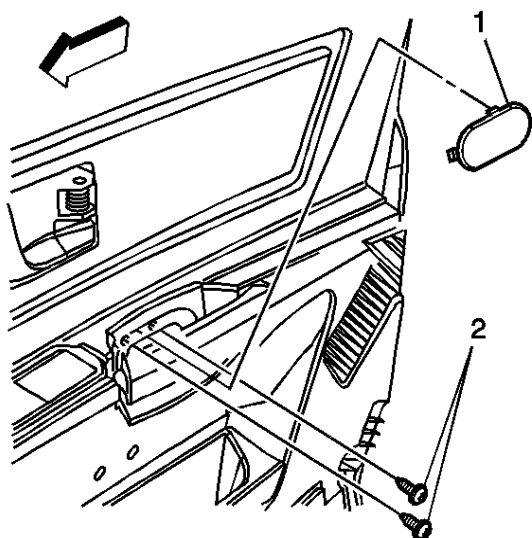
2. Ensure the manual lock knob (1) is in the unlock position.
3. Insert a flat-bladed tool into the top service notch to disengage the locking clip (2) located at the front of the manual lock knob (1).
4. Remove the manual lock knob (1).



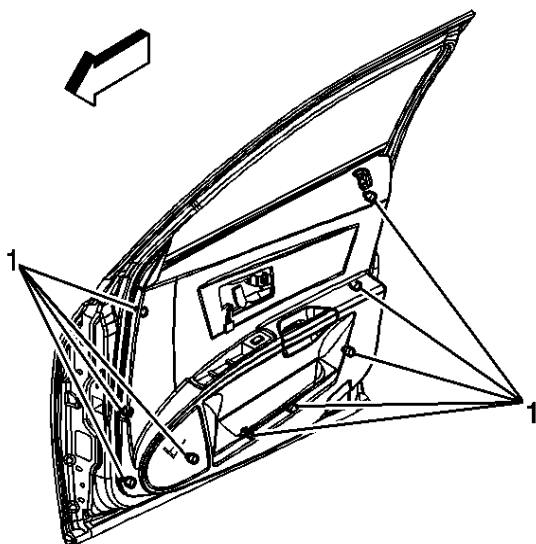
5. Remove the inside handle bezel (1) from the inner door panel in the following order:
  - A. Hold the inside handle to the open position.
  - B. Insert a flat-bladed tool at the front lower corner of the bezel.
  - C. Pry outward on the bezel.
  - D. Remove the bezel from the inner door panel.



6. Insert a flat-bladed tool at the top of the trim cover and pry out to remove the cover.

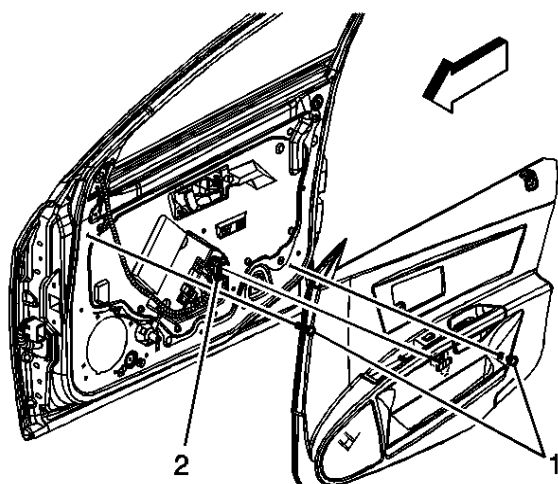


7. Remove the door trim panel screws (2).

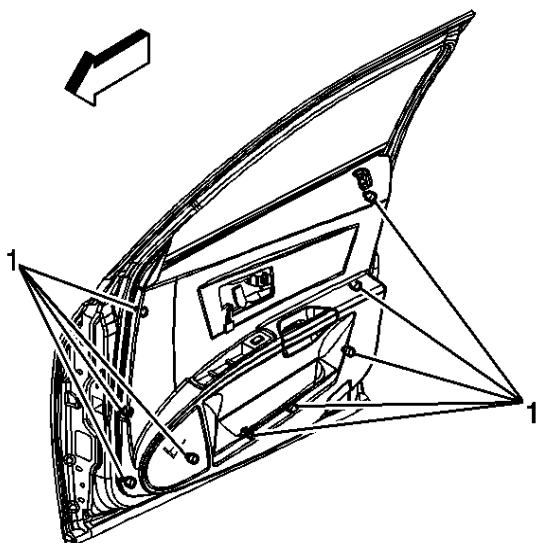


8. Use the [J 36796](#) to release the retainers (1) from around the outside edges of the door trim panel.
9. Slide the door trim panel upwards to release it from the door.

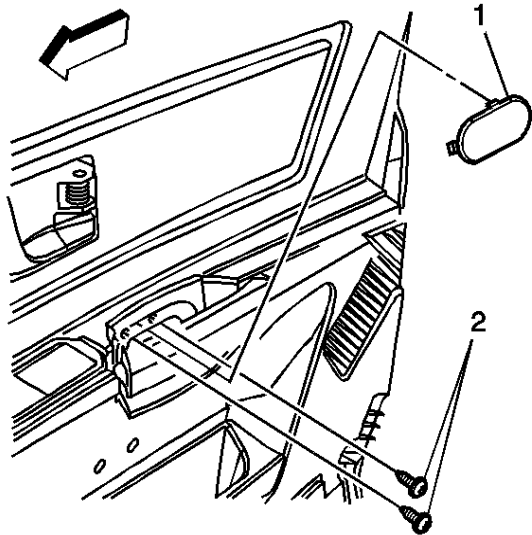
### [Installation Procedure](#)



1. Slide the electrical connector (2) into position on the water deflector.
2. Position the door trim panel downward over the manual lock rod.
3. Align the alignment datums (1) and the electrical connector with the door.



4. Install the door trim panel by applying pressure around the door trim panel to secure the retainers (1) to the door.



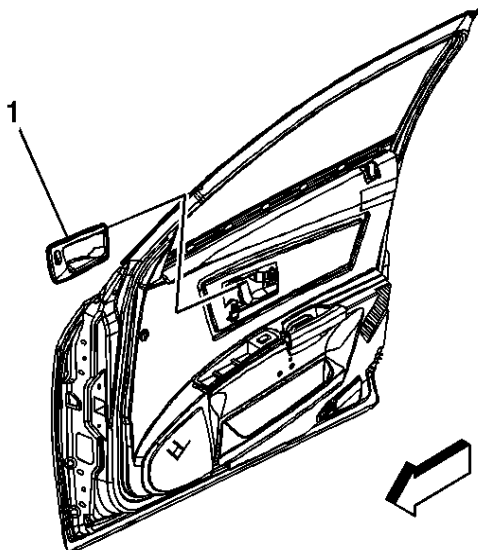
### Notice

Use the correct fastener in the correct location. Replacement fasteners must be the correct part number for that application. Fasteners requiring replacement or fasteners requiring the use of thread locking compound or sealant are identified in the service procedure. Do not use paints, lubricants, or corrosion inhibitors on fasteners or fastener joint surfaces unless specified. These coatings affect fastener torque and joint clamping force and may damage the fastener. Use the correct tightening sequence and specifications when installing fasteners in order to avoid damage to parts and systems.

5. Install the door trim panel screws (2). **Tighten**

Tighten the screw to 1 N·m (9 lb in).

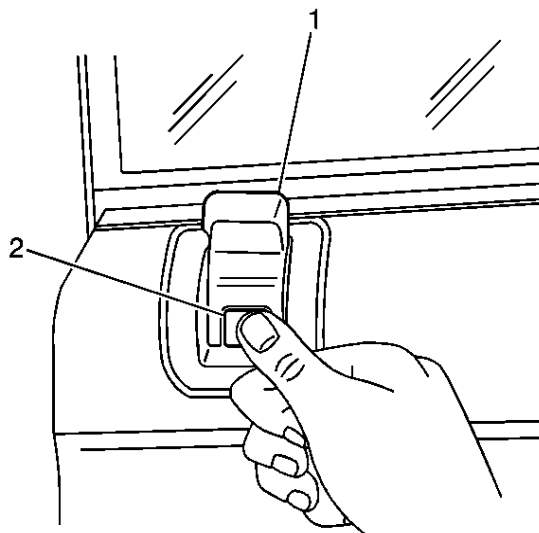
6. Install the trim cover (1) to the inner door panel.



7. Install the inside door handle bezel (1) by pulling out on handle and pressing bezel into retainer.
8. Push down on the door trim panel behind the bezel while performing the following steps.

**Important**

Ensure the manual lock rod is in the full up/unlocked position.



- A. Position the manual lock knob (1) into the bezel opening until the locking clip (2) bottoms out on the bezel.
- B. Engage the locking clip (2) located at the front of the lock knob (1) to the lock rod.

<- Back

Forward ->

Document ID# 754381  
2005 Cadillac CTS

Print