

&lt;- Back

Forward -&gt;

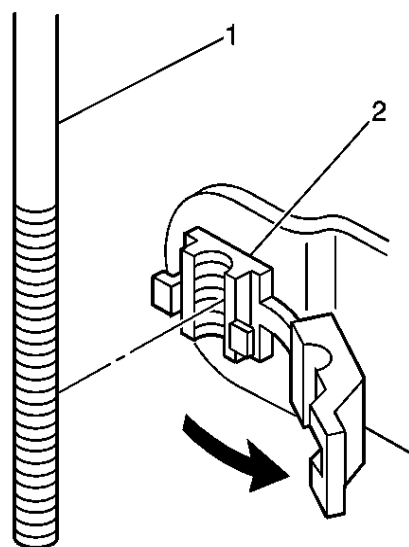
Document ID# 759550  
2005 Cadillac CTS

Print

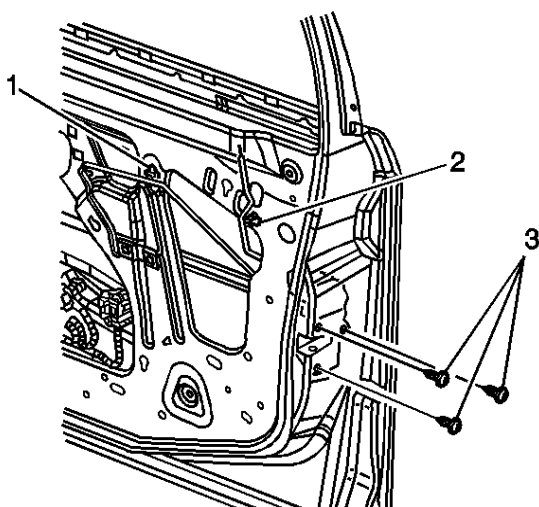
# Latch Replacement - Front Door

## Removal Procedure

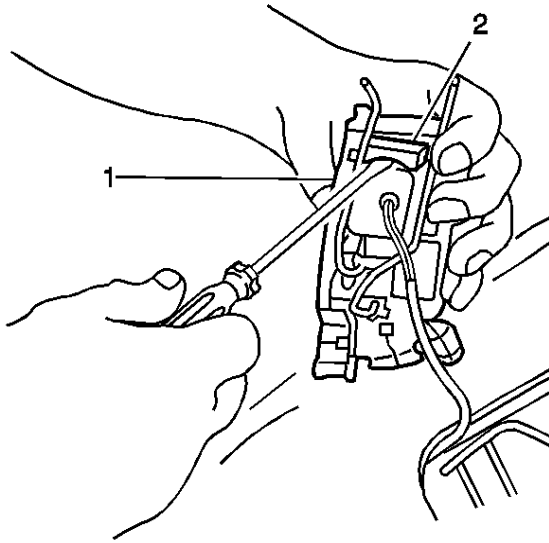
1. Place the window in the full up position.
2. Remove the door trim panel. Refer to [Trim Panel Replacement - Side Front Door](#).
3. Remove the water deflector. Refer to [Water Deflector Replacement - Front Door](#).
4. Disconnect the lock cylinder rod from the door latch, if equipped.



5. Disconnect the outside door handle rod (1) from the door latch by opening the clip (2).

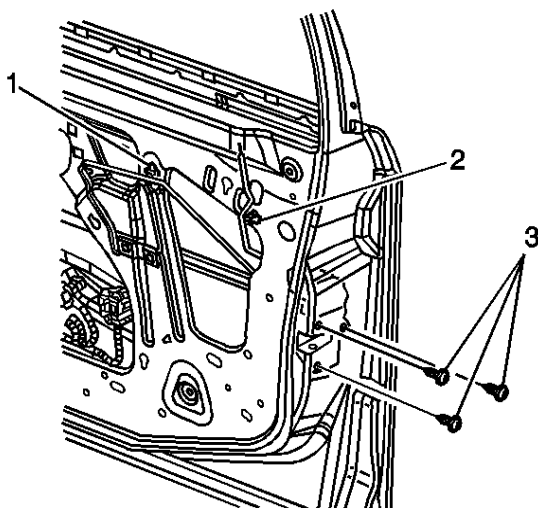


6. Remove the lock knob rod from the rod guide (2).
7. Remove the inside handle rod from the rod guide (1).
8. Remove the door latch screws (3).
9. Remove the door latch from the door with the inside door handle rod and lock rod attached.



10. Use a small flat bladed tool to lift the electrical connector lock (2) and disconnect the electrical connector .
11. Remove the handle rod and lock rod from the door latch.

### Installation Procedure



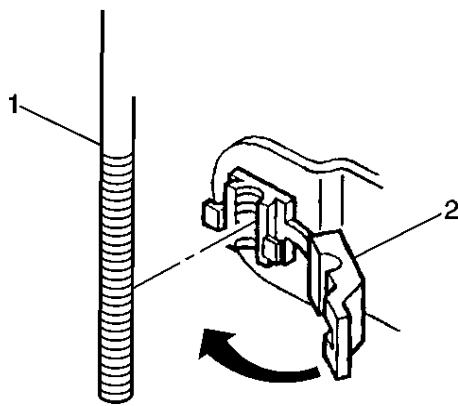
1. Install the inside door handle rod and lock rod to the door latch.
2. Install the electrical connector.
3. Install the door latch into the door.
4. Install the lock cylinder rod to the door latch.

## Notice

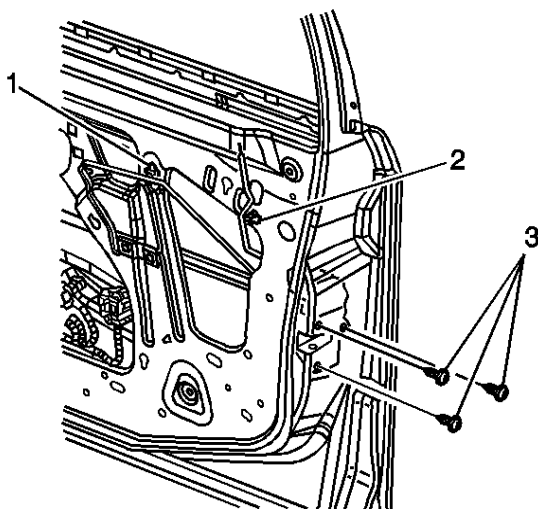
Use the correct fastener in the correct location. Replacement fasteners must be the correct part number for that application. Fasteners requiring replacement or fasteners requiring the use of thread locking compound or sealant are identified in the service procedure. Do not use paints, lubricants, or corrosion inhibitors on fasteners or fastener joint surfaces unless specified. These coatings affect fastener torque and joint clamping force and may damage the fastener. Use the correct tightening sequence and specifications when installing fasteners in order to avoid damage to parts and systems.

5. Install the door latch screws (3). **Tighten**

Tighten the screws to 10 N·m (89 lb in).



6. Install the outside door handle rod (1) into the latch clip (2).
7. Close the clip.





8. Install the lock knob rod into the rod guide (2).
9. Install the inside handle rod into the rod guide (1).
10. Check for proper operation of the door handles, lock cylinder, and door latch.
11. Install the water deflector. Refer to [Water Deflector Replacement - Front Door](#) .
12. Install the door trim panel. Refer to [Trim Panel Replacement - Side Front Door](#) .

---

**Document ID# 759550**  
**2005 Cadillac CTS**