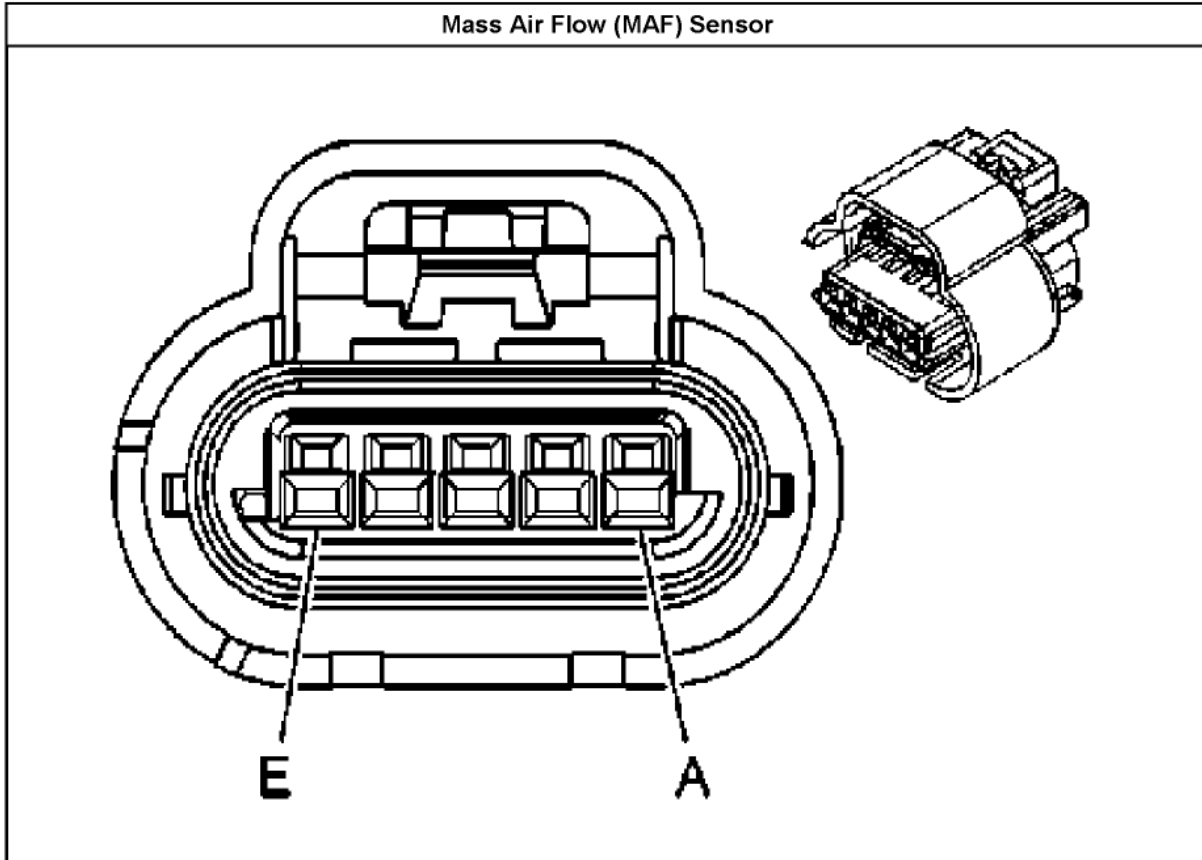


## Mass Air Flow (MAF) Sensor



Connector Part Information		<ul style="list-style-type: none"> <li>• 15305555</li> <li>• 5-Way F Metri-Pack 150 Series Sealed (BK)</li> </ul>	
Pin	Wire Color	Circuit No.	Function
A	TN	552	Low Reference
B	TN	472	IAT Sensor Signal
C	BK/WH	751	Ground
D	PK	739	Ignition 1 Voltage
E	YE	492	MAF Sensor Signal