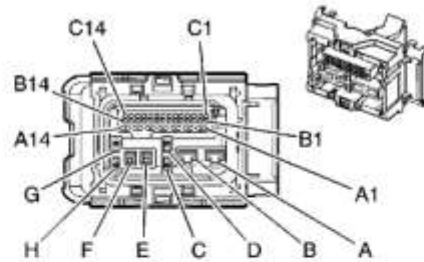


Electronic Brake Control Module (EBCM)

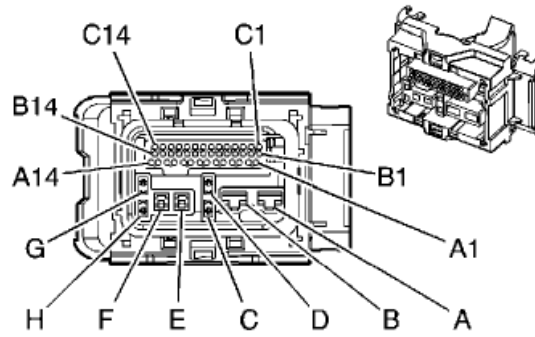


Connector Part Information

- 15411019
- 50-Way F Packard (BK)

Pin	Wire Color	Circuit No.	Function
A	RD/BK	342	Battery Positive Voltage
B	RD/BK	342	Battery Positive Voltage
C	PK	39	Ignition 1 Voltage
D	—	—	Not Used
E	BK	1150	Ground
F	BK	1150	Ground
G	GY	1787	Variable Effort Steering Actuator High Effort Control (FE3)
H	WH	345	Variable Effort Steering Actuator Low Effort Control (FE3)
A1	L-BU	830	Left Front Wheel Speed Sensor Signal
A2	YE	873	Left Front Wheel Speed Sensor Low Reference
A3	D-GN	872	Right Front Wheel Speed Sensor Signal
A4	TN	833	Right Front Wheel Speed Sensor Low Reference
A5	TN	884	Left Rear Wheel Speed Sensor Signal
A6	OG	885	Left Rear Wheel Speed Sensor Low Reference
A7	BN	882	Right Rear Wheel Speed Sensor Signal
A8	WH	883	Right Rear Wheel Speed Sensor Low Reference
A9	—	—	Not Used
A10	D-BU	1537	ABS Indicator Signal
A11	—	—	Not Used
A12	YE/BK	5270	Traction Control Data Signal (LP1/LY7)
A13	PU	1807	Class 2 Serial Data
A14	PU	1807	Class 2 Serial Data
B1–B2	—	—	Not Used
B3	YE	5361	Brake Pedal Position (BPP) Sensor Signal
B4–B5	—	—	Not Used
B6	TN/BK	464	Delivered Torque Signal
B7	—	—	Not Used
B8	OG/BK	463	Requested Torque Signal
B9–B12	—	—	Not Used
B13	L-GN/BK	1338	Low Reference
B14	GY/BK	1337	5-Volt Reference
C1–C2	—	—	Not Used
C3	OG	5371	BAS Relay Coil Supply Voltage
C4	—	—	Not Used

Electronic Brake Control Module (EBCM)



Connector Part Information

- 15411019
- 50-Way F Packard (BK)

Pin	Wire Color	Circuit No.	Function
C5	GY	847	Extended Travel Brake Switch Signal
C6	L-BU	1764	Steering Wheel Position Signal B (JL4)
C7	L-GN	1763	Steering Wheel Position Signal A (JL4)
C8	D-BU	716	Yaw Rate Sensor Signal (JL4)
C9	L-BU	715	Lateral Accelerometer Signal (JL4)
C10	PU	5002	Brake Fluid Pressure Sensor Signal
C11	—	—	Not Used
C12	BN	5360	Low Reference
C13	WH	5359	5-Volt Reference
C14	—	—	Not Used