

2005 Cadillac CTS

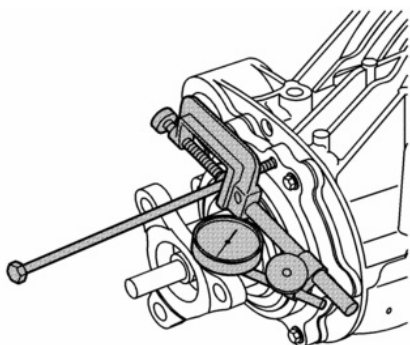
Submodel: V | Engine Type: V8 | Liters: 5.7

Fuel Delivery: FI | Fuel: GAS

Backlash Adjustment

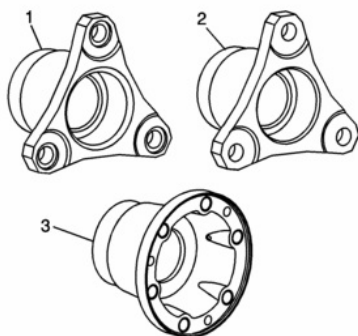
Special Tools

- J 8001 Dial Indicator Set
- J 45019 Flange and Pinion Cage Remover



[Click to Enlarge](#)

1. Remove 1 pinion cage bolt and install a long bolt from J 45019 .
2. Install J 8001 as shown in order to check backlash. Position the tip of the dial indicator above the center line of the flange bolt holes.



[Click to Enlarge](#)

3. Check the axle ratio on the axle tag.
4. Determine which flange is used. The 105 mm flange (1) is used with ratios 2.73, 3.23 and 3.42. The 96 mm flange (2) is used with ratios 3.42, 3.23 and 3.91. The 86 mm flange (3) is used with ratio 3.73.
5. For backlash specification, refer to Rear Axle Specifications .