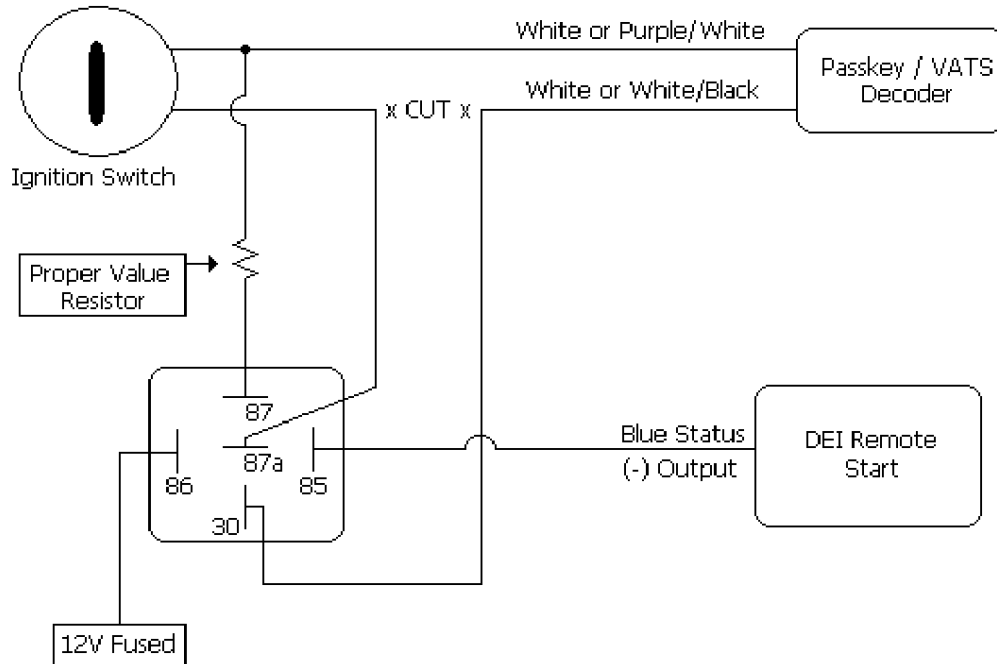


Bypassing GM Vehicle Anti-Theft System (VATS)



Vehicles with the GM VATS (Passkey) system have a resistor embedded in the ignition key. If the VATS decoder module does not measure the proper resistance when the vehicle is started, the starter and/or fuel pump may be disabled for up to 10 minutes. There are 15 possible values used in these cars. The "VATS pack" is **DEI part # 652t** and contains all 15 values.

The VATS wires will be two very light-gauge wires coming out of the steering column. The colors of the wires vary, but they are often contained in orange, black, or gray tubing. Determine the value of the resistor in the key. Then follow the diagram above to bypass VATS during remote start operation. If the BLUE status output has been programmed for factory security re-arm, use the BLUE/BLACK Ignition 2 output to control the relay.

NOTE: When connecting to the VATS wires, it is not important which wire is cut but make sure that the key side of the cut wire goes to terminal **87a** of your relay and the car side of the cut wire goes to terminal **30**.

IMPORTANT: This wiring information is being provided free of charge on an "as is" basis, without any representation or warranty. It is the dealer's responsibility to verify any circuit before interfacing with it using a digital multi-meter. Directed Electronics Inc. assumes no responsibility with regards to the accuracy or currency of this information. Proper installation in every case remains the responsibility of the installer. Directed Electronics Inc. assumes no liability or responsibility resulting from an improper installation, even in reliance of this information.