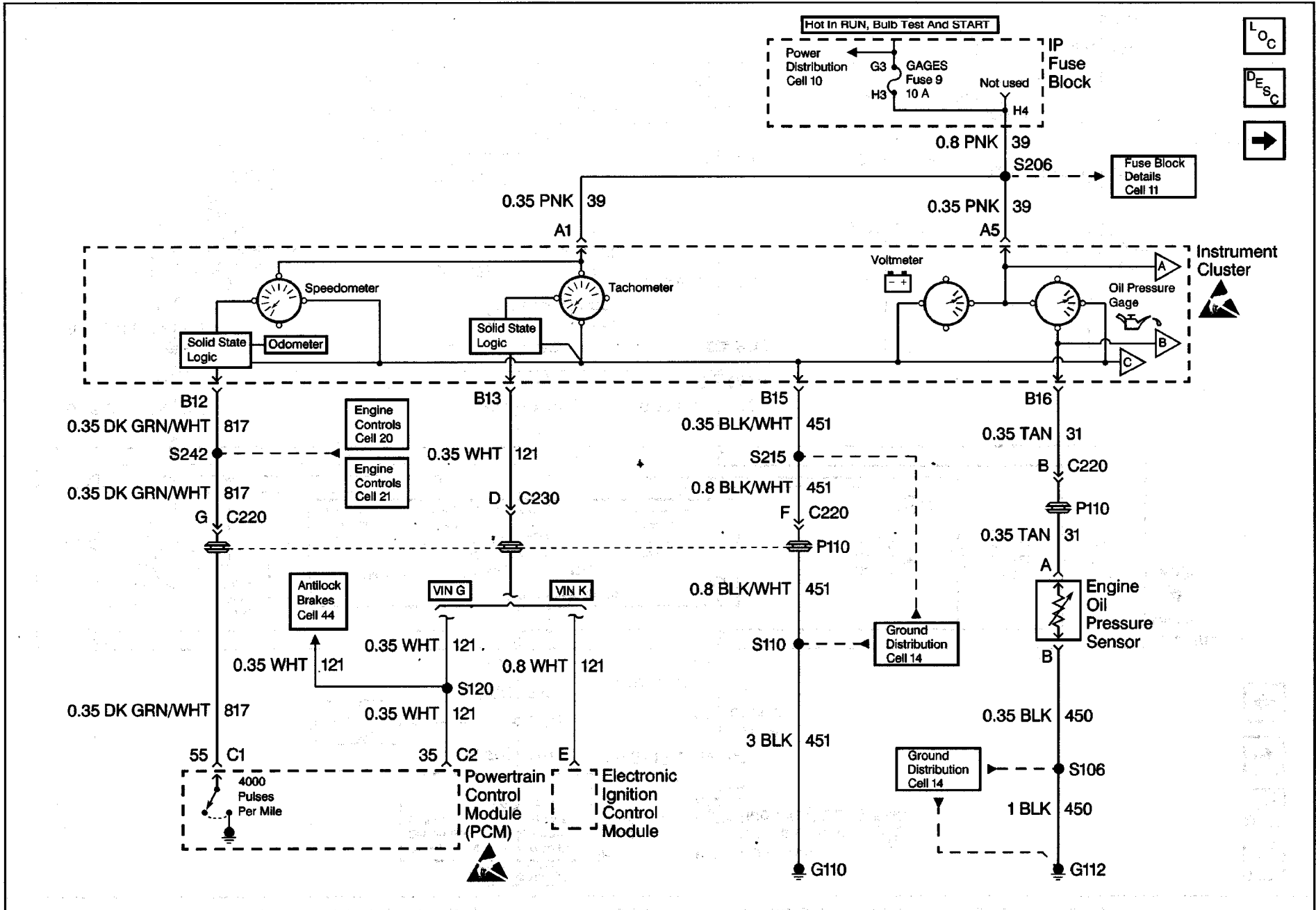


Instrument Cluster: Analog Schematics (PCM and Engine Oil Pressure Sensor)



LOC
DESC
➔

Instrument Cluster: Analog Schematics (EBCM, PCM, Generator, ECT and Oil Level Switch)

