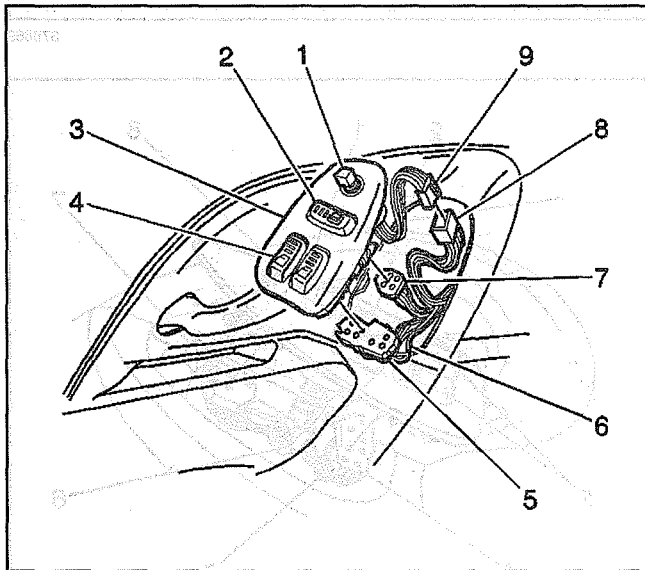
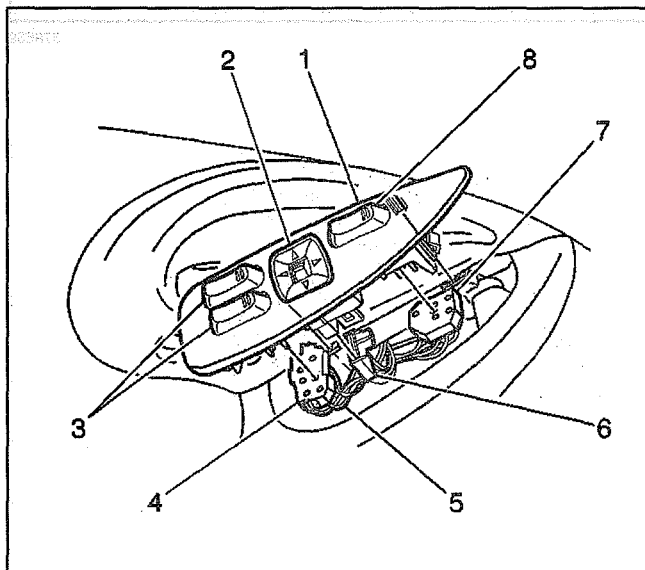


378671



378671



378669

## Power Window Switch Replacement (Chevrolet)

### Removal Procedure

**Important:** Protect the trim panel with a rag when prying up the switch to prevent marring the trim panel.

1. Pry up the rear edge of the drivers side switch, the front edge of the passenger side switch.
2. Slide the drivers side switch rearward, the passenger side switch forward, out of the door trim panel.
3. Disconnect the electrical connector (5) from the window switches (4).
4. Remove the power window switch (4) from panel.

### Installation Procedure

1. Insert switch assembly into panel.
2. Install the power window switch (4) to the panel.
3. Connect the electrical connector (5) to the switches (4).
4. Insert the front edge of the drivers side switch, the rear edge of the passenger side switch, into the door trim panel.
5. Press the rear edge of the drivers side switch, the front edge of the passenger side switch, into the trim panel to secure.

## Power Door Lock Switch Replacement (Pontiac)

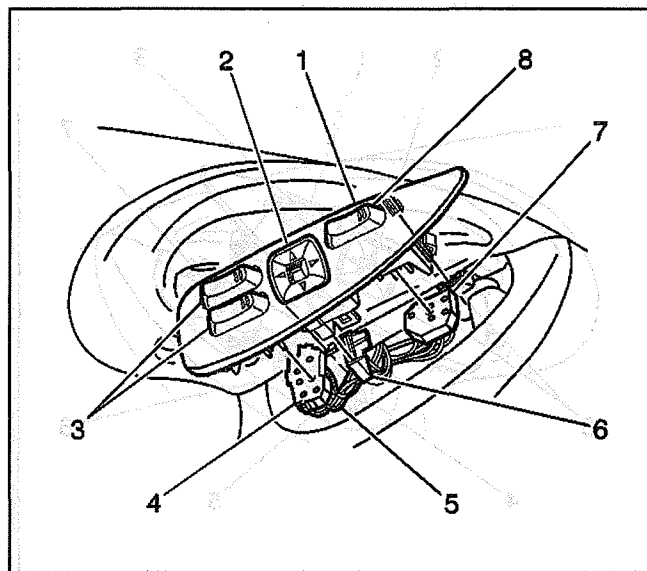
### Removal Procedure

**Important:** Protect the trim panel with a rag when prying up the switch to prevent marring the trim panel.

1. Pry up the rear edge of the driver side switch, or the front edge of the passenger side switch.
2. Slide the driver side switch rearward, or the passenger side switch forward out of the door trim panel.
3. Disconnect the power door lock electrical connector (7).
4. Remove the power door lock switch (8) from the panel.

**Installation Procedure**

1. Install the power door lock switch (8) to the panel.
2. Connect the power door lock switch electrical connector (7).
3. Insert the front edge of the driver side switch, the rear edge of the passenger side switch into the door trim panel.
4. Press the rear edge of the driver side switch, the front edge of the passenger side switch, into the trim panel to secure.



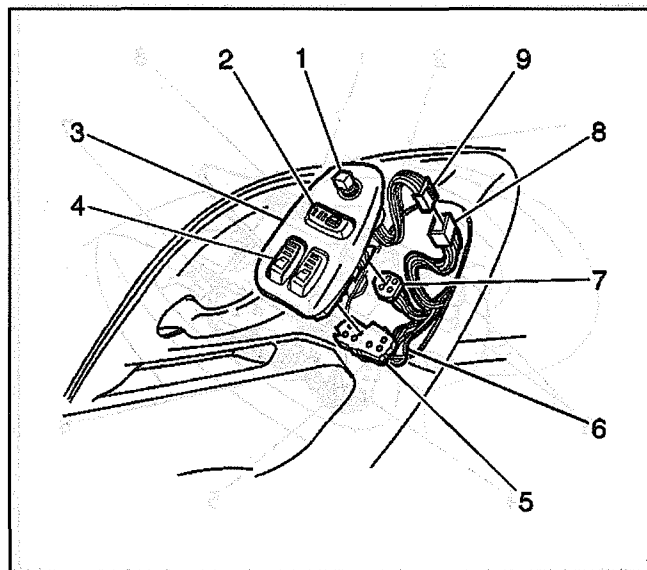
378669

**Power Door Lock Switch Replacement (Chevrolet)**

**Removal Procedure**

**Important:** Protect the trim panel with a rag when prying up the switch to prevent marring the trim panel.

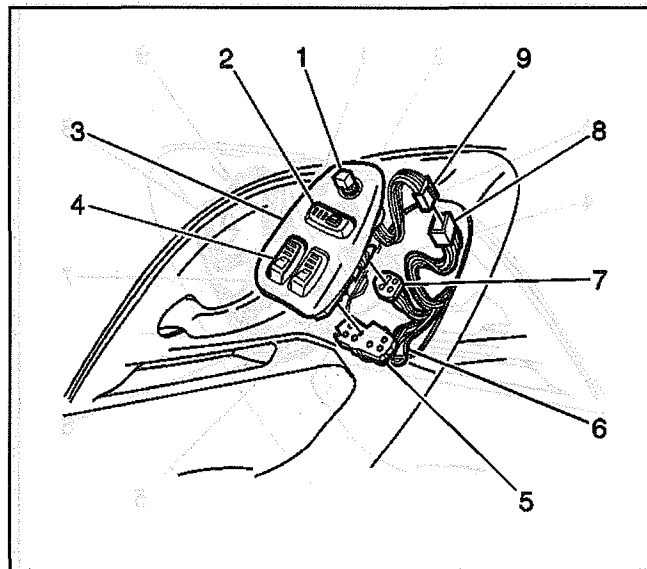
1. Pry up the rear edge of the drivers side switch, or the front edge of the passenger side switch.
2. Slide the drivers side switch rearward, or the passenger side switch forward, out of the door trim panel.
3. Disconnect the electrical connector (7) from the power door switch (2).
4. Remove the power lock switch (2) from the panel.



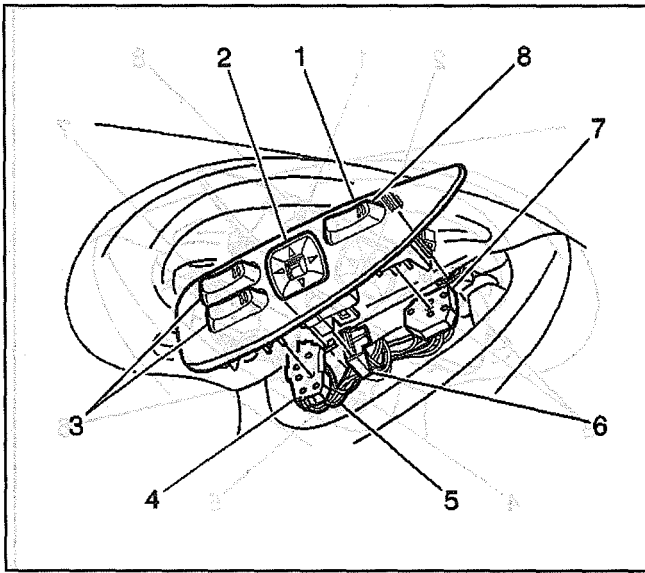
378671

**Installation Procedure**

1. Install the power lock switch (2) to the panel.
2. Connect the electrical connector (7) to the power door switch (2).
3. Insert the front edge of the drivers side switch, the rear edge of the passenger side switch, into the door trim panel.
4. Press the rear edge of the drivers side switch, the front edge of the passenger side switch, into the trim panel to secure.



378671



968576

378669

### Power Mirror Switch Replacement (Pontiac)

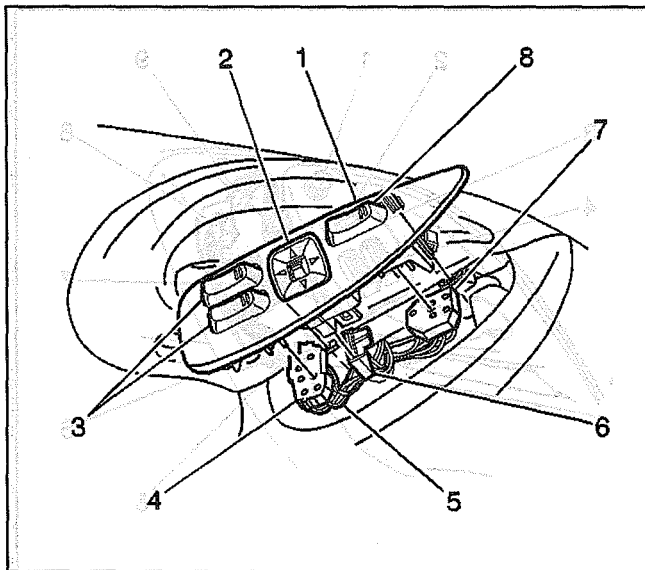
#### Removal Procedure

**Important:** Protect the trim panel with a rag when prying up the switch to prevent marring the trim panel.

1. Pry up the rear edge of the drivers side switch, the front edge of the passenger side switch.
2. Slide the drivers side switch rearward, the passenger side switch forward, out of the door trim panel.
3. Disconnect the electrical connector (6) from the mirror switch (2).
4. Remove mirror switch (2) from panel.

#### Installation Procedure

1. Insert switch assembly into panel.
2. Install the mirror switch (2) to the panel.
3. Connect the electrical connector (6) to the mirror switch (2).
4. Insert the front edge of the drivers side switch, the rear edge of the passenger side switch, into the door trim panel.
5. Press the rear edge of the drivers side switch, the front edge of the passenger side switch, into the trim panel to secure.



968576

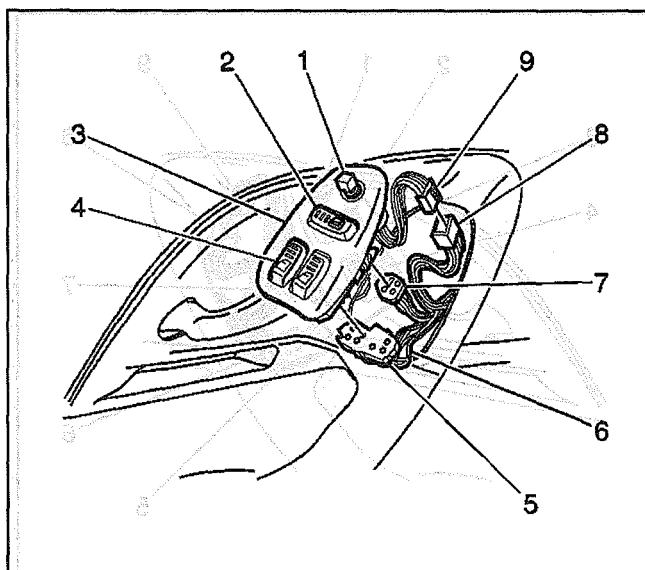
378669

### Power Mirror Switch Replacement (Chevrolet)

#### Removal Procedure

**Important:** Protect the trim panel with a rag when prying up the switch to prevent marring the trim panel.

1. Pry up the rear edge of the drivers side switch, the front edge of the passenger side switch.
2. Slide the drivers side switch rearward, the passenger side switch forward, out of the door trim panel.
3. Disconnect the electrical connector (9) from the mirror switch (1).
4. Remove the power mirror switch (1) from panel.

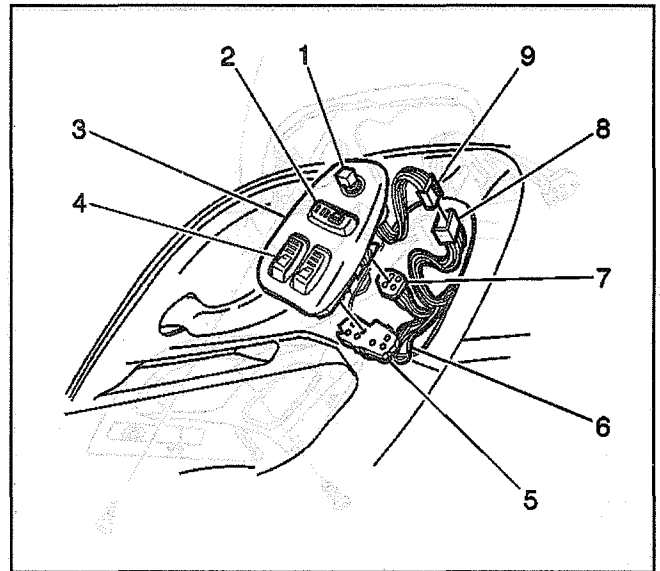


968576

378671

**Installation Procedure**

1. Install the power mirror switch (1) to the panel.
2. Connect the electrical connector (9) to the mirror switch (1).
3. Insert the front edge of the drivers side switch, the rear edge of the passenger side switch, into the door trim panel.
4. Press the rear edge of the drivers side switch, the front edge of the passenger side switch, into the trim panel to secure.

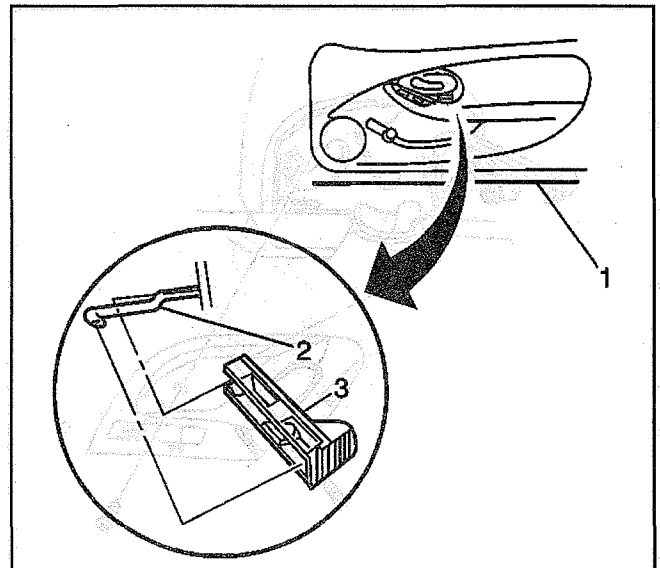


378671

**Handle Bezel Replacement - Inside**

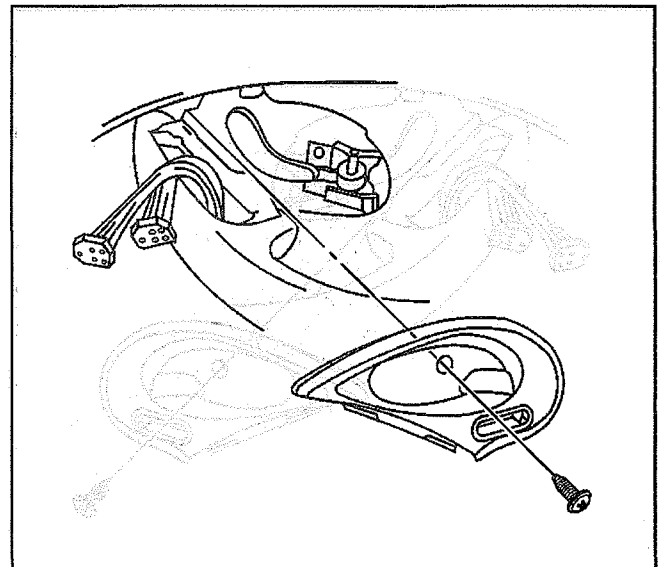
**Removal Procedure**

1. Remove the lock rod knob (3) from the lock rod (2).
2. Pull the door inside handle open to access the bezel screws.

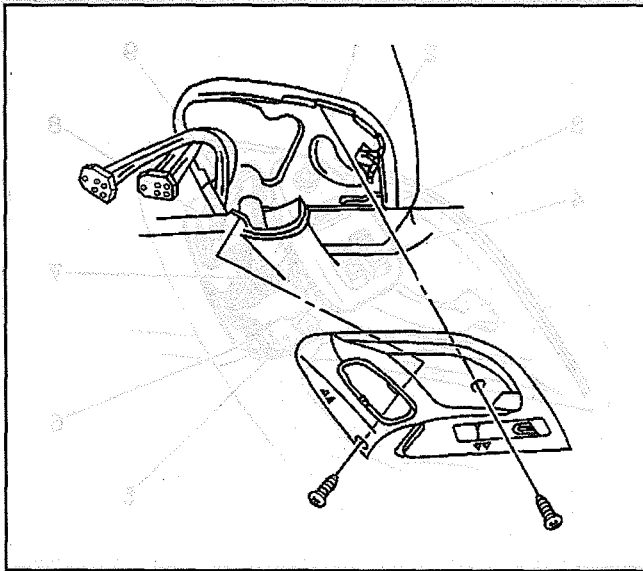


378680

3. On Pontiac, remove the inside handle bezel screw.

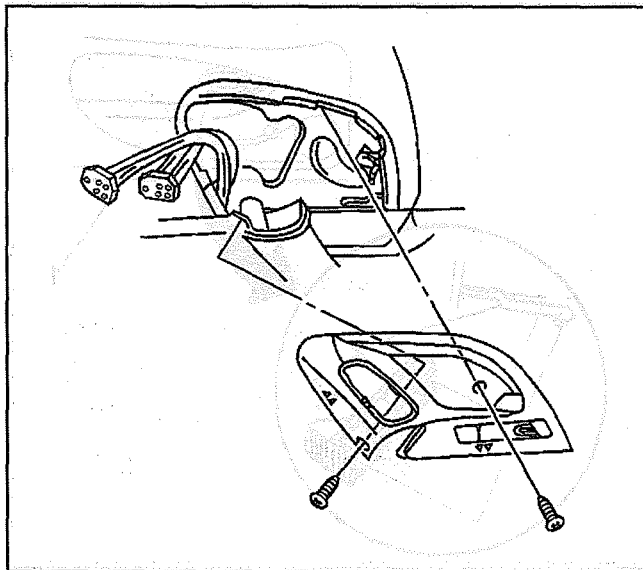


378672



378674

4. On Chevrolet, remove the switch plate panel.
5. On Chevrolet, remove the inside handle bezel screws.
6. Unsnap the bezel from the door trim panel.
7. Disconnect the light bulb from the rear of the bezel.
8. Remove the inside door handle bezel from the vehicle.



378674

### Installation Procedure

1. Install the inside door handle bezel to the vehicle.
2. Connect the light bulb to the rear of the bezel.
3. Snap the bezel to the door trim panel.

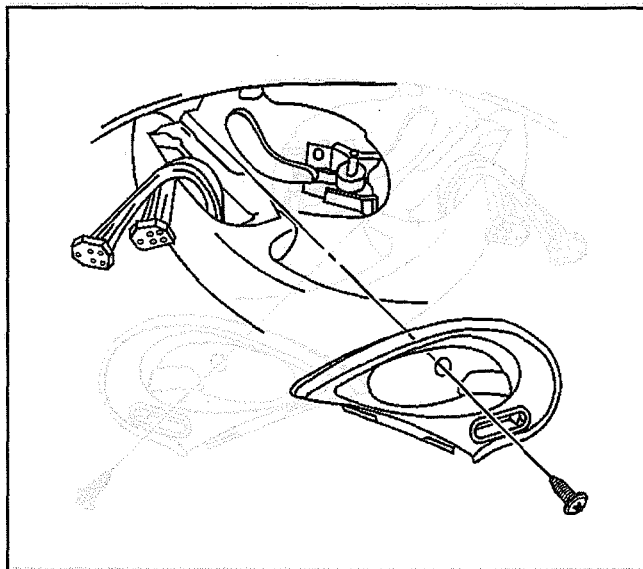
**Notice:** Refer to *Fastener Notice* in Cautions and Notices.

4. On Chevrolet, install the inside handle bezel screws.

#### Tighten

Tighten the inside handle bezel screws to 1.4 N·m (12 lb in).

5. On Chevrolet, install the switch plate panel.



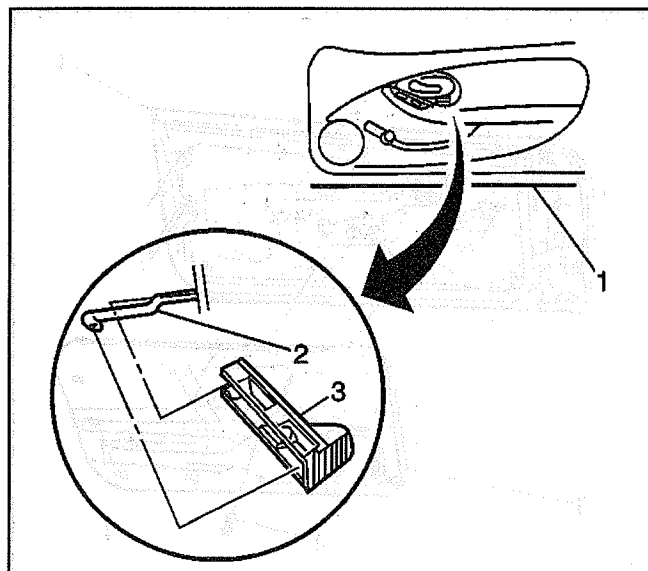
378672

6. On Pontiac, install the inside door handle bezel screw.

#### Tighten

Tighten the inside handle bezel screws to 1.4 N·m (12 lb in).

7. Install the lock rod knob (3), perform the following:
  - 7.1. Pull the lock rod (2) forward in pocket or inside the bezel.
  - 7.2. Align the lock rod knob (3) over the lock rod (2).
  - 7.3. Insert rearward end of lock rod knob (3) through the hole inside the bezel.
  - 7.4. Pull the knob (3) rearward until the end of the rod (2) slides into the depression end of the knob (3).
  - 7.5. Apply pressure to snap knob (3) over lock rod (2).



378680

### Trim Panel Replacement - Door

#### Removal Procedure

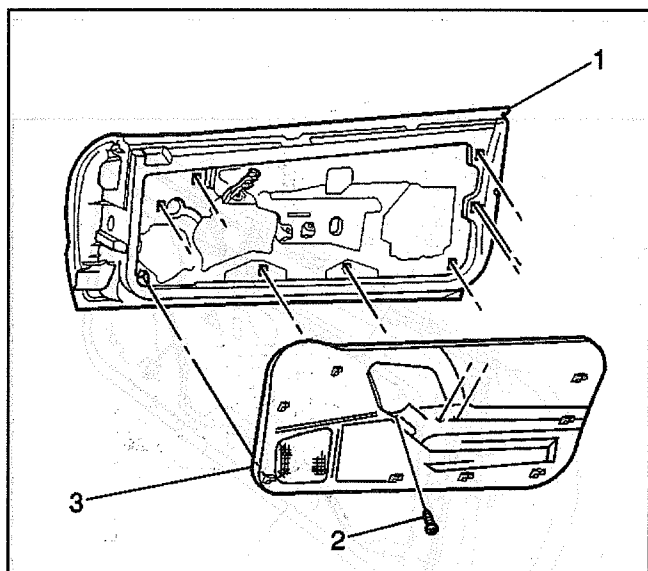
#### Tools Required

J 38778 Door Trim Pad and Garnish Clip Remover

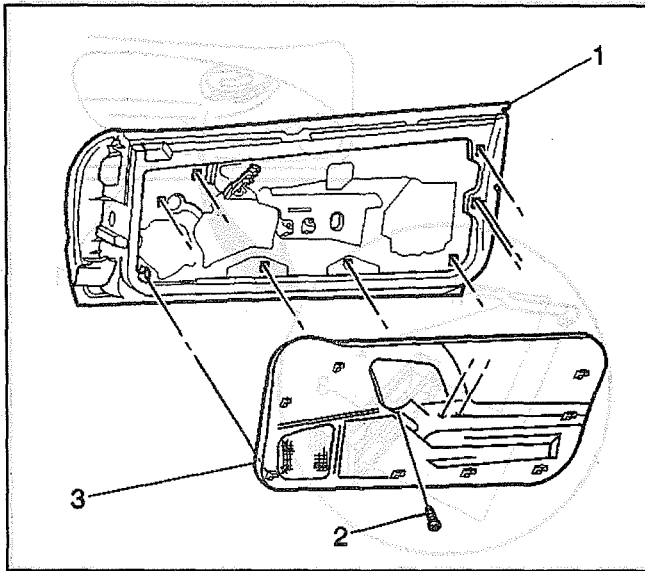
1. Remove the accessory switch panel.
2. Remove the inside handle bezel. Refer to *Handle Bezel Replacement - Inside*.
3. Remove the window regulator handle and spacer, if equipped.
4. Remove the outside rearview mirror bezel. Refer to *Mirror Replacement*.
5. Remove the side door armrest bolts (2).

**Important:** To avoid breaking the trim panel fasteners be sure to insert the J 38778 between the male fastener which is attached to the door trim panel and the female retainer which is in the door. Do not insert the J 38778 between the female retainer and the door.

6. Remove the front side door trim from the door inner panel.
7. Pull the side door trim up from the door, making sure the hooks release from the holes in the door inner.
8. Disconnect the door speaker electrical connectors.
9. Remove the courtesy lamp socket from the door trim.



378666



378666

**Installation Procedure**

1. Install the courtesy lamp socket to the door trim.
2. Connect the door speaker electrical connectors.
3. Pull the side door trim up from the door, making sure the hooks release from the holes in the door inner.
4. Install the front side door trim to the door inner panel.

**Notice:** Refer to *Fastener Notice* in Cautions and Notices.

5. Install the side door armrest bolts (2).

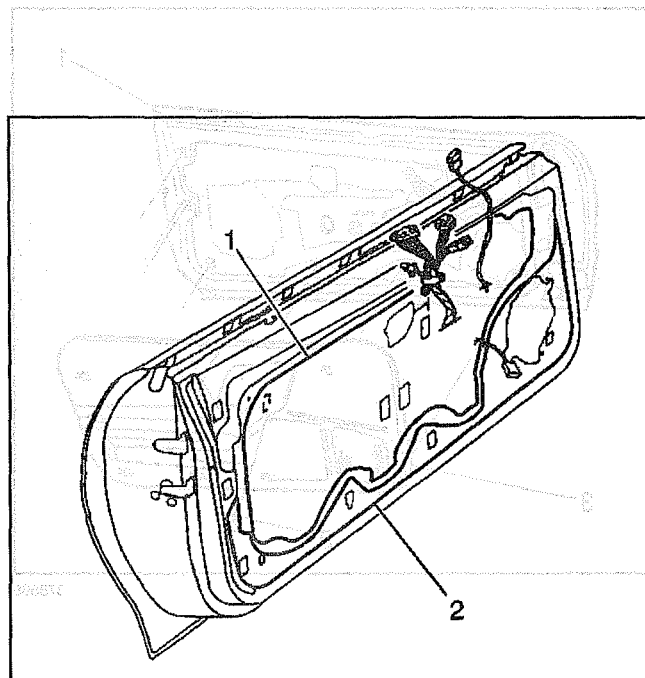
**Tighten**

Tighten the side door armrest bolts to 4.5 N·m (40 lb in).

6. Install the outside rearview mirror bezel. Refer to *Mirror Replacement*.
7. Install the window regulator handle and spacer, if equipped.
8. Install the inside handle bezel. Refer to *Handle Bezel Replacement - Inside*.
9. Install the accessory switch panel.

**Water Deflector Replacement - Door****Removal Procedure**

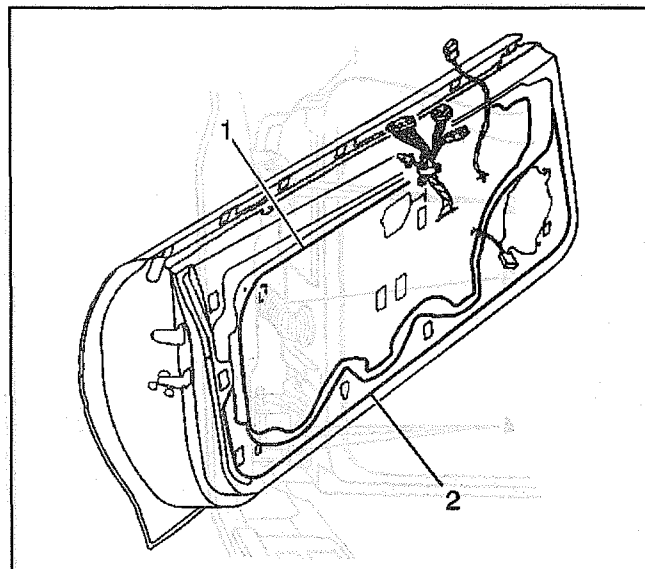
1. Remove the door trim panel. Refer to *Trim Panel Replacement - Door*.
2. Peel the water deflector (2) from the door inner panel.



378736

**Installation Procedure**

1. Peel the backing paper from the adhesive on the new deflector.
2. Position the deflector over the large opening in the door.
3. Beginning at the bottom of the water deflector (2) press firmly to secure the adhesive (1).
4. Install the door trim panel. Refer to *Trim Panel Replacement - Door*.



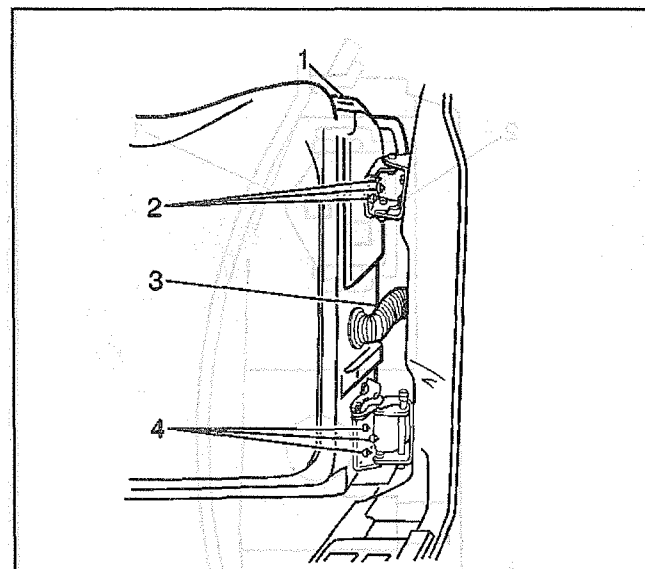
378736

378736

**Door Replacement**

**Removal Procedure**

1. Remove front side door trim. Refer to *Trim Panel Replacement - Door*.
2. Remove water deflector. Refer to *Water Deflector Replacement - Door*.
3. Remove electrical connectors from all components in door.
4. Remove wiring harness grommet (3) from door (1).
5. Remove crosscar and front side door wiring harness from door.
6. Remove door spring.
7. Support door in preparation for door removal.
8. Remove upper (2) and lower hinge nuts (4).
9. Remove door from vehicle.



378873

**Installation Procedure**

1. Install door to upper and lower hinges.

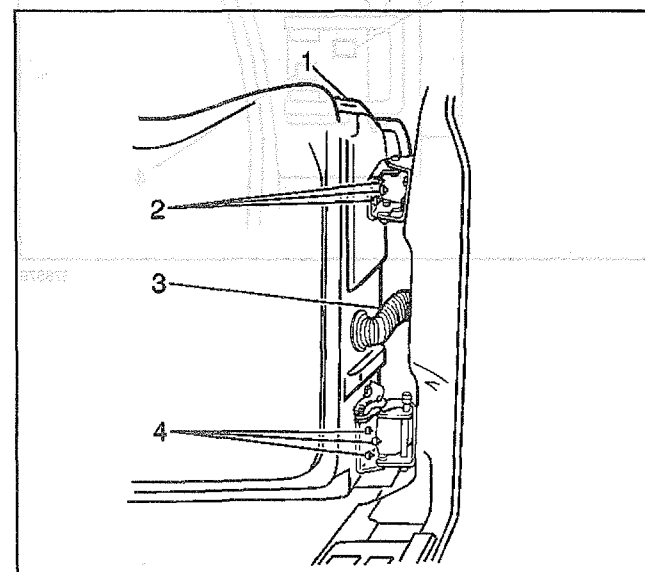
**Notice:** Refer to *Fastener Notice* in Cautions and Notices.

2. Install upper (2) and lower hinge nuts (4).

**Tighten**

Tighten the nuts to 50 N-m (37 lb ft).

3. Install door spring.
4. Install crosscar and front side door wiring harness from door.
5. Install wiring harness grommet (3) from door (1).
6. Install electrical connectors from all components in door.
7. Install water deflector. Refer to *Water Deflector Replacement - Door*.
8. Install front side door trim. Refer to *Trim Panel Replacement - Door*.



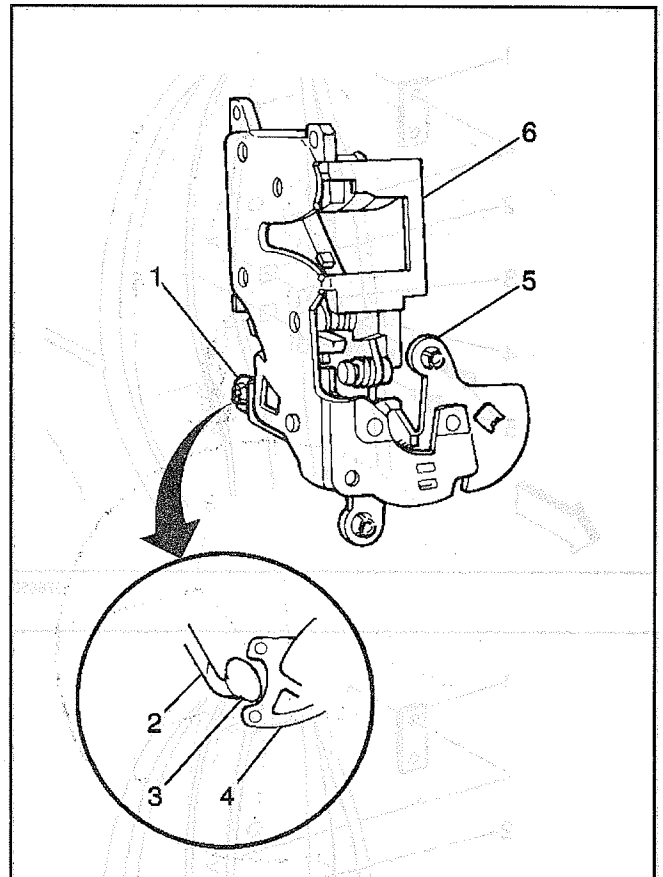
378873



**Lock Actuator Replacement - Door**

**Removal Procedure**

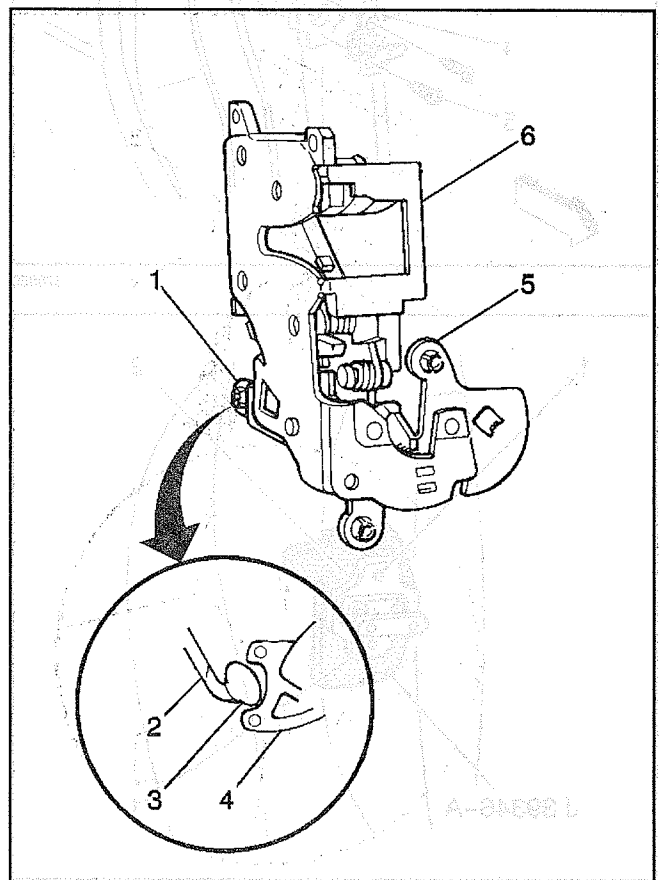
1. Remove the side door lock. Refer to *Lock Replacement - Door*.
2. Remove the actuator mounting bolts.
3. Remove the actuator (6).



378859

**Installation Procedure**

1. Install the actuator (6).
2. Install the actuator mounting bolts.
3. Install the side door lock. Refer to *Lock Replacement - Door*.



378859