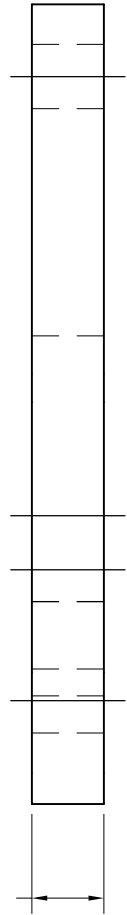
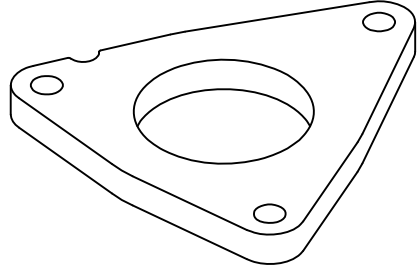
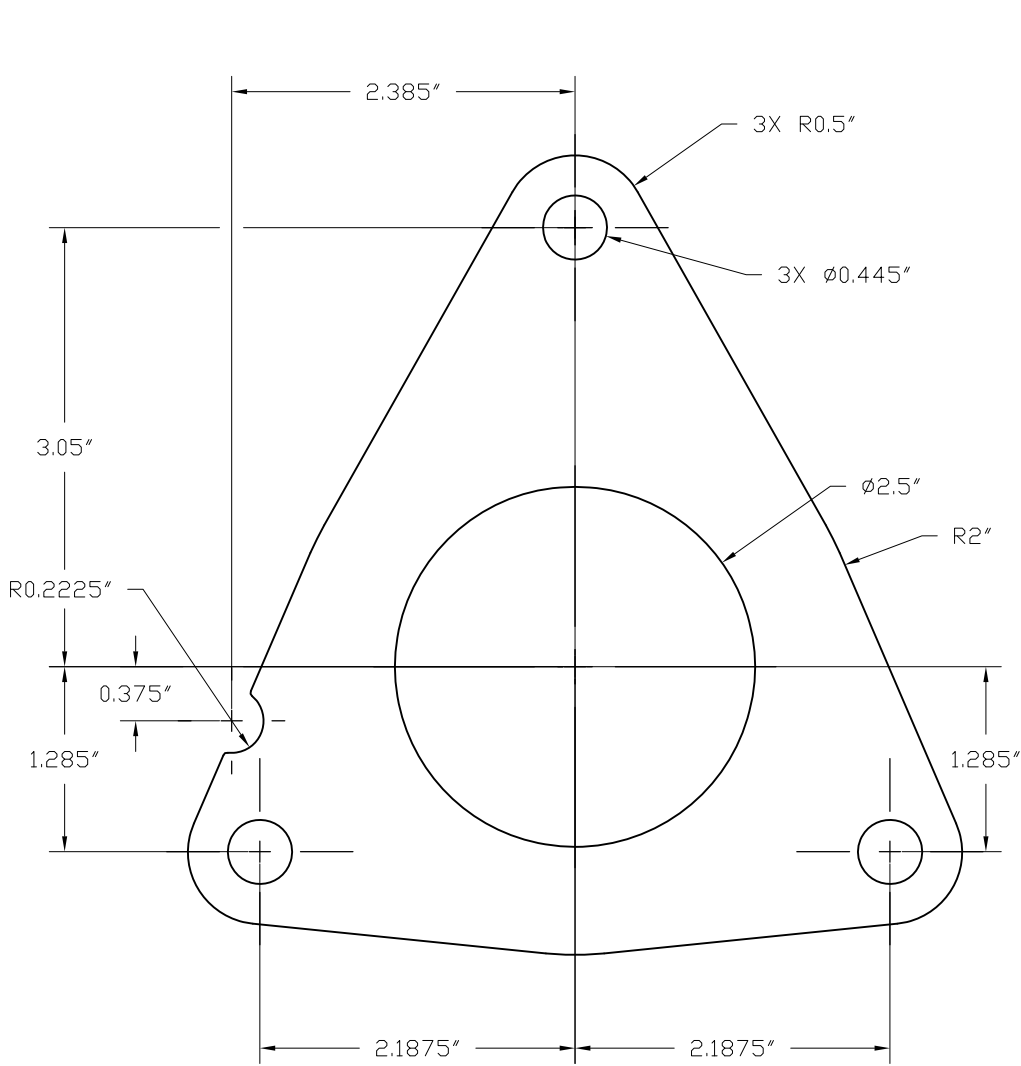


Item	Description	QTY	Part No.
1	Stl Sheet HRPO .500 x 48 x 48"	1.49	116326



DO NOT SCALE PRINT

DIMENSIONS IN INCHES PART WT./1000 PCS.

DRAWN A. COPENHAVER DATE 08/06/02

APPROVED DATE

CUSTOMER CAR SOUND

CARSOUND
Rancho Santa Margarita, California 92688

EXHAUST SYSTEMS, INC.

TITLE FLANGE 3-BOLT, 2.50x4.98x.445x.50" HRPO

SUPERCEDES DWG NO. REFERENCE NO. SCALE NONE SIZE A

CAR SOUND ITEM NO. 104323 DWG NO. D-00009273 REV 001

RevNo.	Revision	Signature	Date
001	REVISED TO MAKE	AL	6/22/09