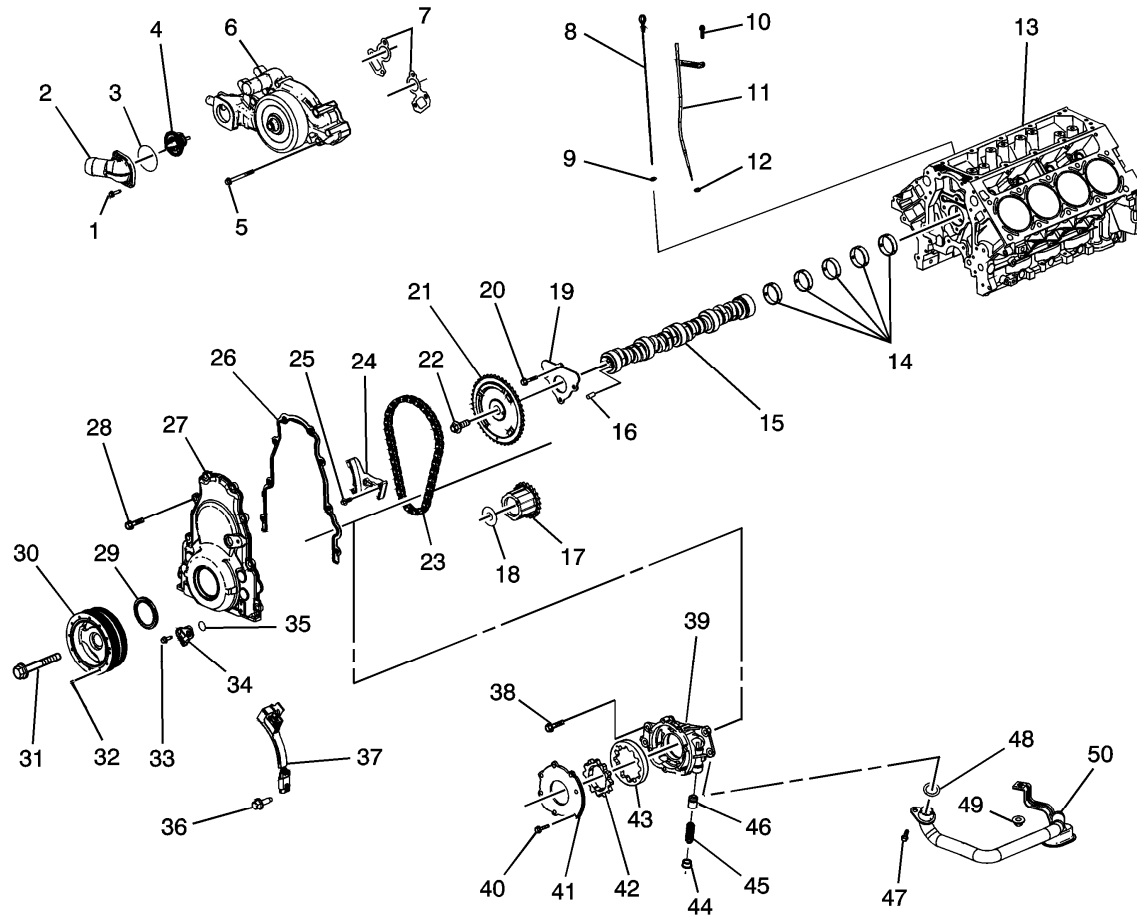


Front of Engine



- (1) Bolt
- (2) Water Inlet Housing
- (3) O-Ring
- (4) Thermostat
- (5) Bolt
- (6) Water Pump
- (7) Water Pump Gasket
- (8) Oil Level Indicator
- (9) O-Ring
- (10) Bolt

- (11) Oil Level Indicator Tube
- (12) O-Ring
- (13) Engine Block
- (14) Camshaft Bearings
- (15) Camshaft
- (16) Camshaft Sprocket Locating Pin
- (17) Crankshaft Sprocket
- (18) Crankshaft Balancer Washer
- (19) Camshaft Retainer
- (20) Bolt
- (21) Camshaft Sprocket
- (22) Bolt
- (23) Timing Chain
- (24) Timing Chain Tensioner
- (25) Bolt
- (26) Engine Front Cover Gasket
- (27) Engine Front Cover
- (28) Bolt
- (29) Crankshaft Front Oil Seal
- (30) Crankshaft Balancer
- (31) Bolt
- (32) Balance Weight - Crankshaft Balancer
- (33) Bolt
- (34) Camshaft Position (CMP) Sensor
- (35) O-Ring
- (36) Bolt
- (37) CMP Sensor Wire Harness
- (38) Bolt
- (39) Oil Pump
- (40) Bolt
- (41) Oil Pump Housing Cover
- (42) Oil Pump Drive Gear
- (43) Oil Pump Driven Gear
- (44) Oil Pump Housing Plug
- (45) Oil Pump Pressure Relief Valve Spring
- (46) Oil Pump Pressure Relief Valve
- (47) Bolt
- (48) O-Ring
- (49) Nut
- (50) Oil Pump Screen