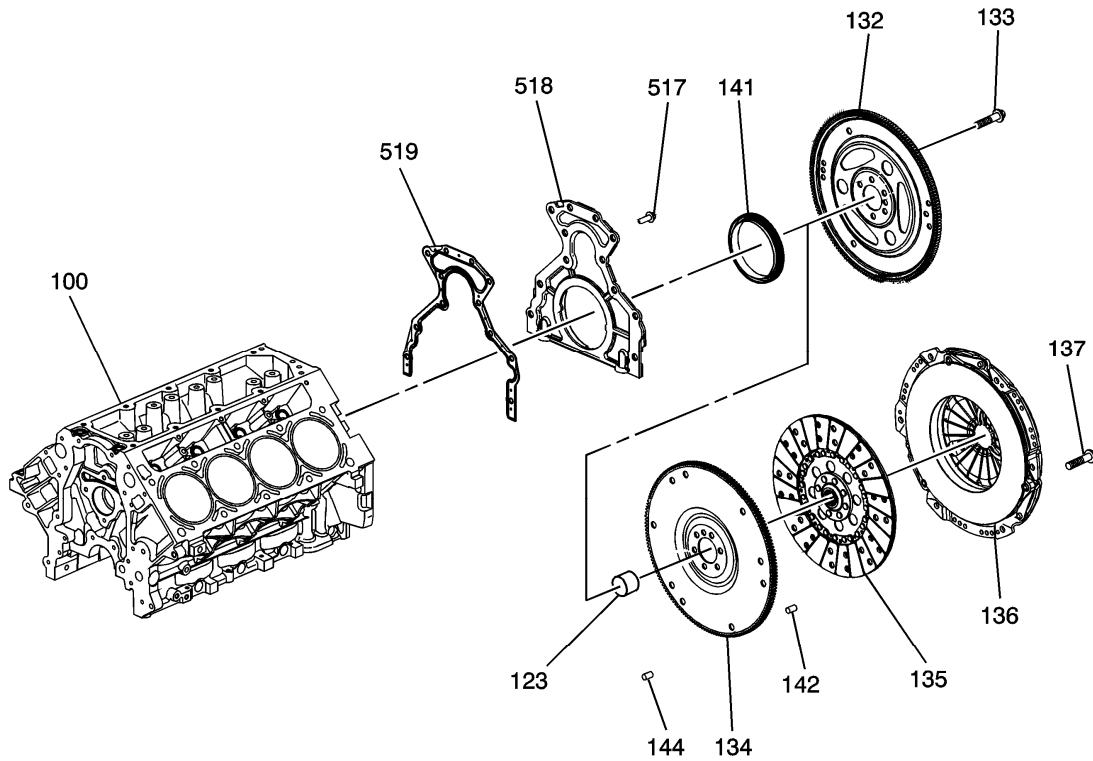


Rear of Engine



- (100) Engine Block
- (123) Transmission Pilot Bearing - Manual Transmission
- (132) Flex Plate - Automatic Transmission
- (133) Bolt
- (134) Flywheel - Manual Transmission
- (135) Clutch Driven Plate - Manual Transmission
- (136) Clutch Pressure Plate - Manual Transmission
- (137) Bolt
- (141) Crankshaft Rear Oil Seal
- (142) Clutch Pressure Plate Locating Pin - Manual Transmission

(144) Balance Weight - Flywheel

(517) Bolt

(518) Crankshaft Rear Oil Seal Housing

(519) Crankshaft Rear Oil Seal Housing Gasket