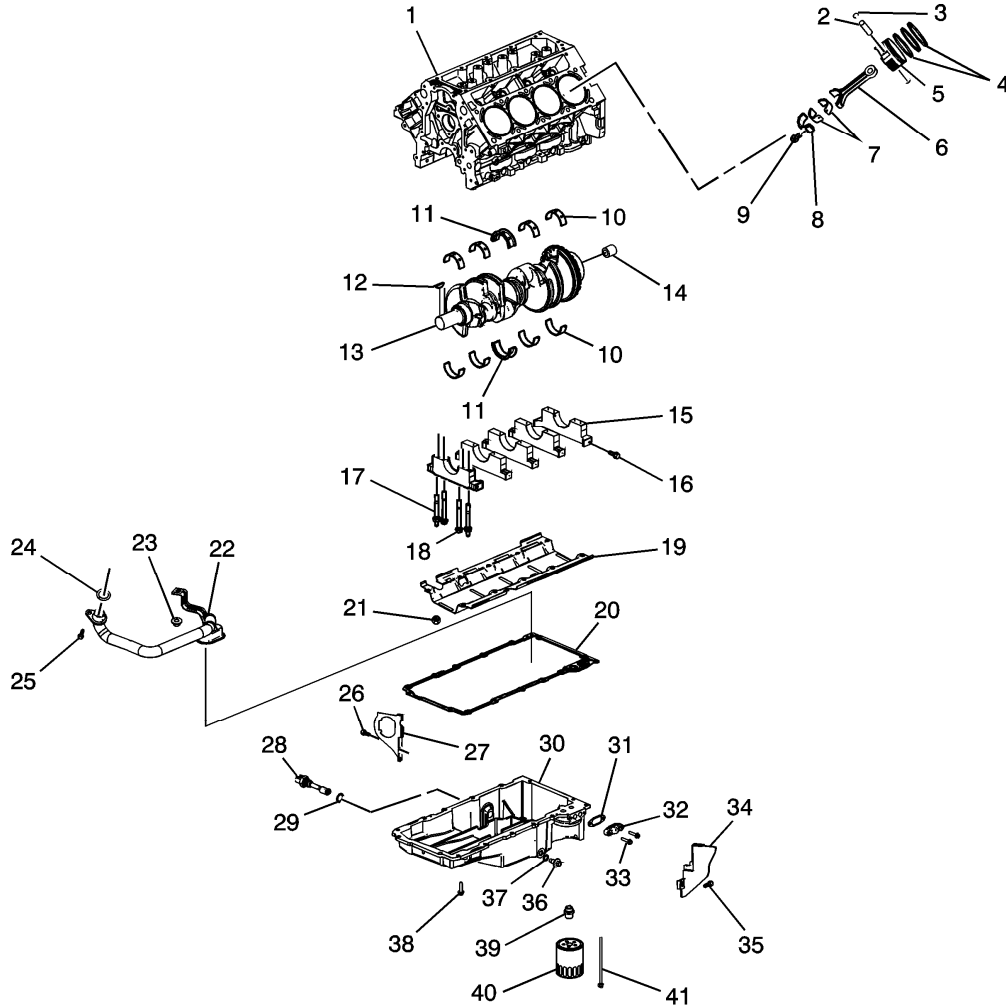


Lower Engine Assembly



- (1) Engine Block
- (2) Piston Pin
- (3) Piston Pin Retainer
- (4) Piston Rings
- (5) Piston
- (6) Connecting Rod
- (7) Connecting Rod Bearings
- (8) Connecting Rod Cap
- (9) Bolt
- (10) Crankshaft Main Bearing

- (10) Crankshaft Main Bearing
- (11) Crankshaft Thrust Bearing
- (11) Crankshaft Thrust Bearing
- (12) Crankshaft Sprocket Key
- (13) Crankshaft
- (14) Transmission Pilot Bearing - Manual Transmission
- (15) Crankshaft Bearing Cap
- (16) Bolt - M8
- (17) Stud - M10
- (18) Bolt - M10
- (19) Crankshaft Oil Deflector
- (20) Oil Pan Gasket
- (21) Nut
- (22) Oil Pump Screen
- (23) Nut
- (24) O-Ring
- (25) Bolt
- (26) Bolt
- (27) Engine Closeout Cover - Right
- (28) Oil Level Sensor
- (29) O-Ring
- (30) Oil Pan
- (31) Oil Pan Cover Gasket
- (32) Oil Pan Cover
- (33) Bolt
- (34) Engine Closeout Cover - Left
- (35) Bolt
- (36) Oil Pan Drain Plug
- (37) O-Ring
- (38) Bolt
- (39) Oil Filter Fitting
- (40) Oil Filter
- (41) Bolt