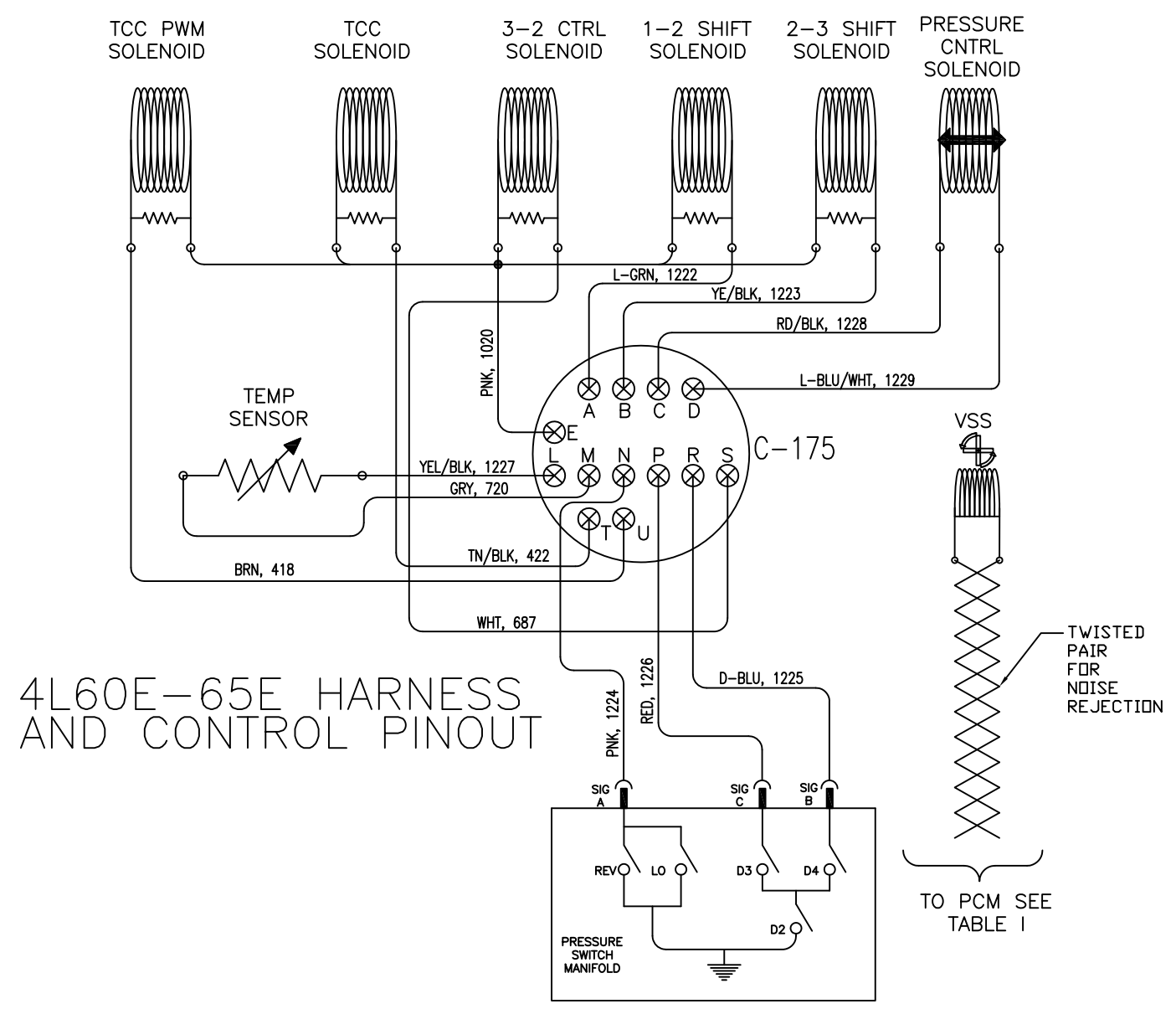


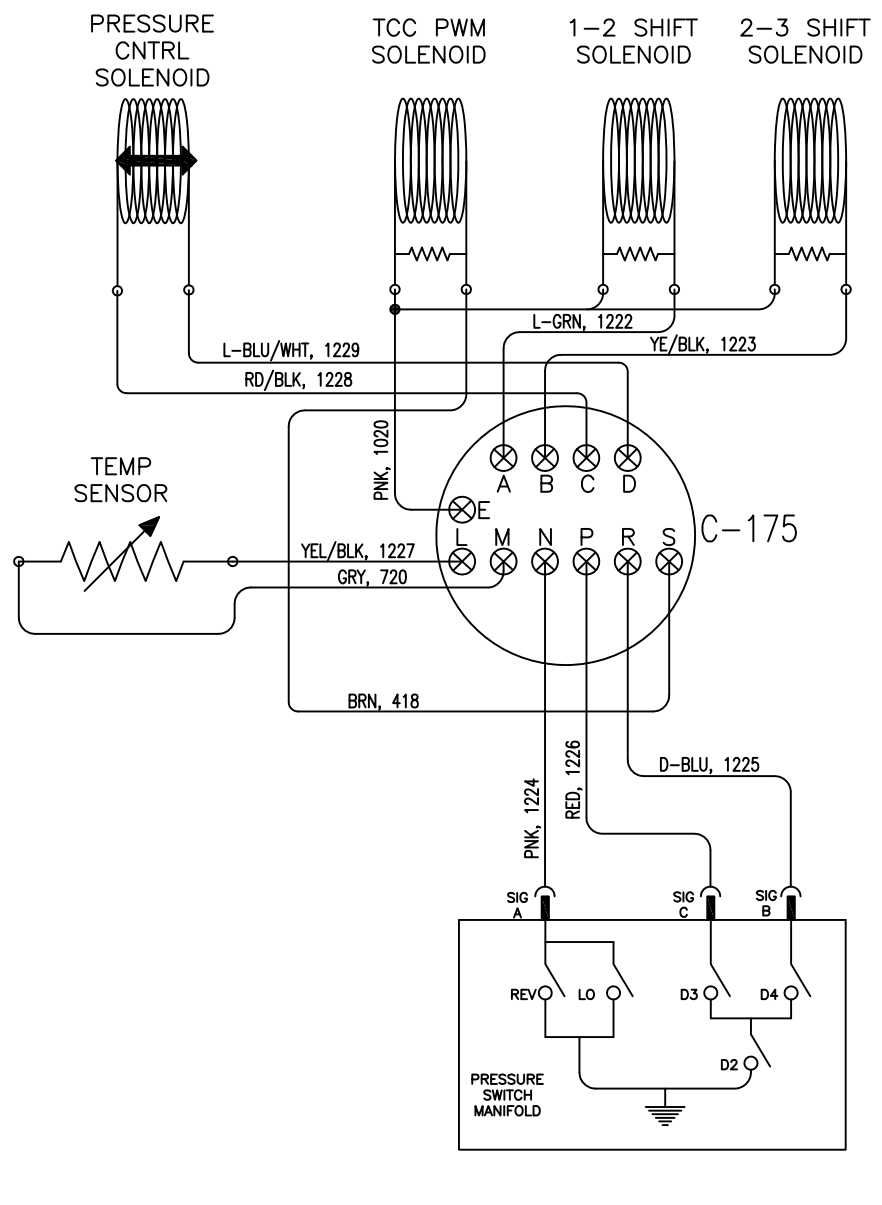
REVISIONS					
REV	ZONE	AUTH	DESCRIPTION	DATE	APVD



4L60E-65E HARNESS AND CONTROL PINOUT

TABLE I

C175	ECM PIN	FUNCTION
A	C2-48	1-2 SHIFT SOLENOID
B	C2-47	2-3 SHIFT SOLENOID
C	C2-6	PC SOLENOID HIGH CONTROL
D	C2-8	PC SOLENOID LOW CONTROL
F	FUSE PANEL	+12V SOLENOID POWER
F-K		NOT USED
L	C2-51	TRANS FLUID TEMP SIGNAL
M	C1-53	TRANS FLUID TEMP LOW REFERENCE
N	C2-63	TRANS FLUID PRESSURE SIGNAL A (REV/LO)
P	C1-18	TRANS FLUID PRESSURE SIGNAL C (D3)
R	C1-17	TRANS FLUID PRESSURE SIGNAL B (D4)
S	C1-79	3-2 SHIFT SOLENOID
T	C2-42	TCC SOLENOID VALVE
U	C2-2	TCC PWM SOLENOID VALVE
V-W		NOT USED
VSS		
A	C2-20	VSS SIGNAL HIGH
B	C2-21	VSS SIGNAL LOW
PNPS		
4	C1-72	TRANS RANGE SWITCH SIGNAL B
5	C1-32	TRANS RANGE SWITCH SIGNAL A
6	C2-62	TRANS RANGE SWITCH SIGNAL C
8	C1-34	TRANS RANGE SWITCH SIGNAL P



4L80E HARNESS AND CONTROL PINOUT

TABLE II

C175	ECM PIN	FUNCTION
A	C2-48	1-2 SHIFT SOLENOID
B	C2-47	2-3 SHIFT SOLENOID
C	C2-6	PC SOLENOID HIGH CONTROL
D	C2-8	PC SOLENOID LOW CONTROL
F	FUSE PANEL	+12V SOLENOID POWER
F-K		NOT USED
L	C2-51	TRANS FLUID TEMP SIGNAL
M	C1-53	TRANS FLUID TEMP LOW REFERENCE
N	C2-63	TRANS FLUID PRESSURE SIGNAL A (REV/LO)
P	C1-18	TRANS FLUID PRESSURE SIGNAL C (D3)
R	C1-17	TRANS FLUID PRESSURE SIGNAL B (D4)
S	C2-2	TCC PWM SOLENOID VALVE
T-W		NOT USED
VSS		
A	C2-20	VSS SIGNAL HIGH
B	C2-21	VSS SIGNAL LOW
ISS		
A	C2-22	ISS SIGNAL HIGH
B	C2-23	ISS SIGNAL LOW
PNPS		
4	C1-72	TRANS RANGE SWITCH SIGNAL B
5	C1-32	TRANS RANGE SWITCH SIGNAL A
6	C2-62	TRANS RANGE SWITCH SIGNAL C
8	C1-34	TRANS RANGE SWITCH SIGNAL P

