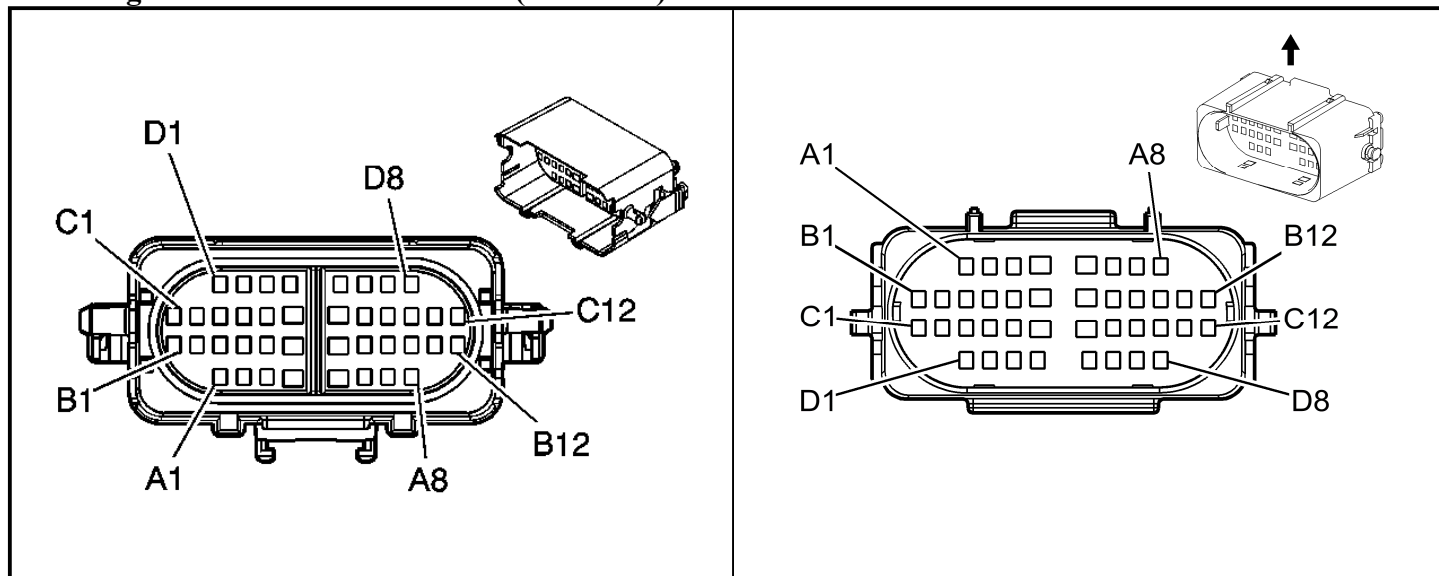


2006 Chevrolet TrailBlazer

2006 ACCESSORIES & EQUIPMENT Wiring Systems - Ascender, Envoy, Rainier & TrailBlazer (3 Of 3)

C107

C107 Engine Harness to I/P Harness (5.3L/6.0L)



| Connector Part Information | | <ul style="list-style-type: none"> • 15443822 • 38-Way F GT 150 280 Sealed (BK) | | Connector Part Information | | <ul style="list-style-type: none"> • 15317380 • 38-Way M GT 150 280 Sealed (BK) | |
|----------------------------|------------|---|----------------------------------|----------------------------|------------|---|----------------------------------|
| Pin | Wire Color | Circuit No. | Function | Pin | Wire Color | Circuit No. | Function |
| A1 | - | - | Not Used | A1 | - | - | Not Used |
| A2 | GY | 2365 | Low Reference | A2 | GY | 2365 | Low Reference |
| A3 | GY | 2709 | 5-Volt Reference | A3 | GY | 2709 | 5-Volt Reference |
| A4-A5 | - | - | Not Used | A4-A5 | - | - | Not Used |
| A6 | PU | 1272 | Low Reference | A6 | PU | 1272 | Low Reference |
| A7 | L-BU | 1162 | APP Sensor 2 Signal | A7 | L-BU | 1162 | APP Sensor 2 Signal |
| A8 | D-GN | 890 | Fuel Tank Pressure Sensor Signal | A8 | D-GN | 890 | Fuel Tank Pressure Sensor Signal |
| B1 | GY | 397 | Cruise Control On Switch Signal | B1 | GY | 397 | Cruise Control On Switch Signal |
| B2 | TN | 1274 | 5-Volt Reference | B2 | TN | 1274 | 5-Volt Reference |
| B3 | BN | 1271 | Low Reference | B3 | BN | 1271 | Low Reference |
| B4 | D-BU | 1161 | APP Sensor 1 Signal | B4 | D-BU | 1161 | APP Sensor 1 Signal |
| B5 | WH/BK | 1164 | 5-Volt Reference | B5 | WH/BK | 1164 | 5-Volt Reference |
| B6-B8 | - | - | Not Used | B6-B8 | - | - | Not Used |
| B9 | L-BU | 1320 | Stop Lamp Supply Voltage | B9 | L-BU | 1320 | Stop Lamp Supply Voltage |
| B10 | D-BU | 2364 | Cooling Fan Speed Signal | B10 | D-BU | 2364 | Cooling Fan Speed Signal |
| B11 | - | - | Not Used | B11 | - | - | Not Used |

2006 Chevrolet TrailBlazer

2006 ACCESSORIES & EQUIPMENT Wiring Systems - Ascender, Envoy, Rainier & TrailBlazer (3 Of 3)

| | | | | | | | |
|-------|---------|------|--|-------|---------|------|--|
| B12 | GY/BK | 87 | Cruise Control Resume/Accel Switch Signal | B12 | GY/BK | 87 | Cruise Control Resume/Accel Switch Signal |
| C1 | WH | 121 | Engine Speed Signal | C1 | WH | 121 | Engine Speed Signal |
| C2 | L-BU | 6106 | High Speed GMLAN Serial Data (-) | C2 | L-BU | 6106 | High Speed GMLAN Serial Data (-) |
| C3 | BK | 2759 | Low Reference | C3 | BK | 2759 | Low Reference |
| C4 | PK | 1020 | Ignition 0 Voltage | C4 | PK | 1020 | Ignition 0 Voltage |
| C5 | BN/WH | 419 | MIL Control | C5 | BN/WH | 419 | MIL Control |
| C6-C7 | - | - | Not Used | C6-C7 | - | - | Not Used |
| C8 | PU | 420 | TCC Brake Switch/Cruise Control Release Signal | C8 | PU | 420 | TCC Brake Switch/Cruise Control Release Signal |
| C9 | D-BU | 6105 | High Speed GMLAN Serial Data (+) | C9 | D-BU | 6105 | High Speed GMLAN Serial Data (+) |
| C10 | PU | 1589 | Fuel Level Sensor Signal - Primary | C10 | PU | 1589 | Fuel Level Sensor Signal - Primary |
| C11 | D-GN | 1049 | ECM/PCM/VCM Class 2 Serial Data | C11 | D-GN | 1049 | ECM/PCM/VCM Class 2 Serial Data |
| C12 | D-GN/WH | 817 | Vehicle Speed Signal | C12 | D-GN/WH | 817 | Vehicle Speed Signal |
| D1 | D-BU | 84 | Cruise Control Set/Coast Switch Signal | D1 | D-BU | 84 | Cruise Control Set/Coast Switch Signal |
| D2 | L-GN | 2278 | A/C Compressor Status Signal | D2 | L-GN | 2278 | A/C Compressor Status Signal |
| D3 | GY | 597 | 5-Volt Reference | D3 | GY | 597 | 5-Volt Reference |
| D4-D5 | - | - | Not Used | D4 | - | - | Not Used |
| D6 | OG/BK | 1786 | Ignition Lock Cylinder Control Actuator Signal | D6 | OG/BK | 1786 | Ignition Lock Cylinder Control Actuator Signal |
| D7 | GY/BK | 1694 | 4WD Low Signal (NP8) | D7 | GY/BK | 1694 | 4WD Low Signal (NP8) |
| D8 | YE | 243 | Accessory Voltage | D8 | YE | 243 | Accessory Voltage |