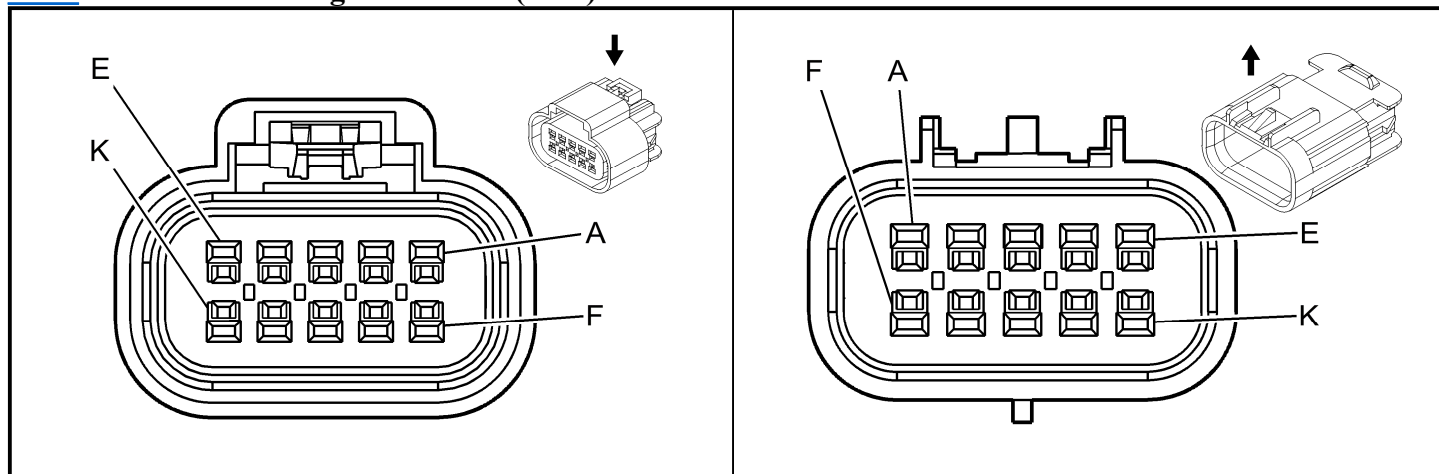


## 2006 Chevrolet TrailBlazer

2006 ACCESSORIES & EQUIPMENT Wiring Systems - Ascender, Envoy, Rainier & TrailBlazer (3 Of 3)

### C100

#### C100 I/P Harness to Engine Harness (4.2L)



Connector Part Information		<ul style="list-style-type: none"> <li>• 15326842</li> <li>• 10-Way F GT 150 Sealed (BK)</li> </ul>		Connector Part Information		<ul style="list-style-type: none"> <li>• 15326847</li> <li>• 10-Way M GT 150 Sealed (BK)</li> </ul>	
Pin	Wire Color	Circuit No.	Function	Pin	Wire Color	Circuit No.	Function
A	PK	839	Ignition 1 Voltage	A	PK	839	Ignition 1 Voltage
B	RD/BK	380	A/C Refrigerant Pressure Sensor Signal	B	RD/BK	380	A/C Refrigerant Pressure Sensor Signal
C	GY	597	5-Volt Reference	C	GY	597	5-Volt Reference
D	PK	439	Ignition 1 Voltage	D	PK	439	Ignition 1 Voltage
E	BK	2751	Low Reference	E	BK	2751	Low Reference
F	GY	2700	5-Volt Reference	F	GY	2700	5-Volt Reference
G	L-GN	2278	A/C Compressor Status Signal	G	L-GN	2278	A/C Compressor Status Signal
H	D-GN/WH	465	Fuel Pump Relay Control	H	D-GN/WH	465	Fuel Pump Relay Control
J	GY	2365	Low Reference	J	GY	2365	Low Reference
K	WH	1310	EVAP Canister Vent Solenoid Control	K	WH	1310	EVAP Canister Vent Solenoid Control