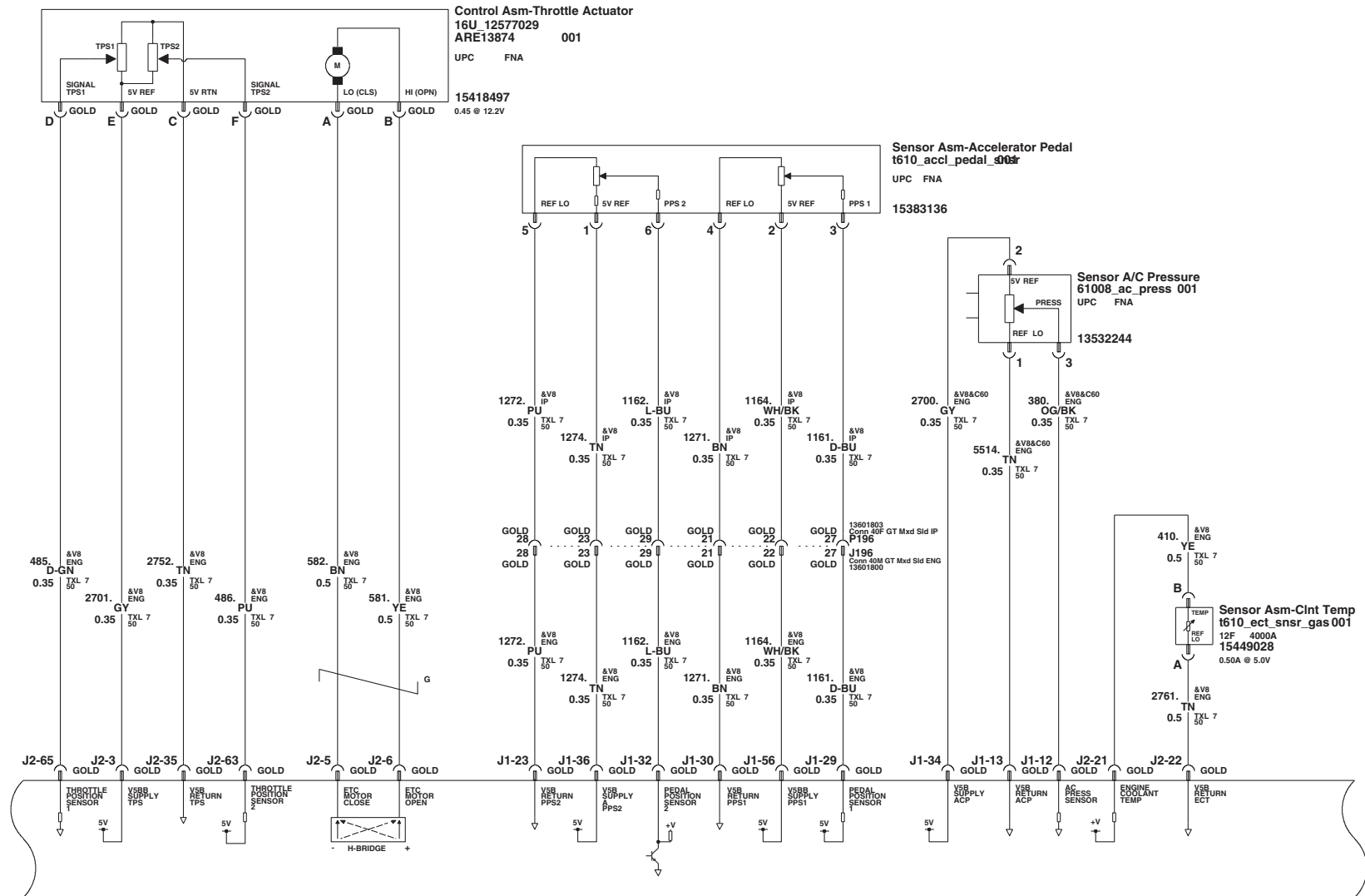


Engine Controls - 4.8L (LY2) - 5.3L (LMF) - 6.0L (LY6) - Gas V8 (continued)

ENGINE CONTROLS -V8 ENGINES-

NOTE: ALL GOLD PLATED



ARE39405
 010
 GMT610
 GM Proprietary

Friday, June 8, 2007
 7:22:21 pm
 IEC/ESI

Engine Controls -V8 Gas-

8X_08EC01B Panel 3 of 12

2008
 GMT610
 MVBS
 Object Status:

First use: 2008 GMT610 :::D System Status: