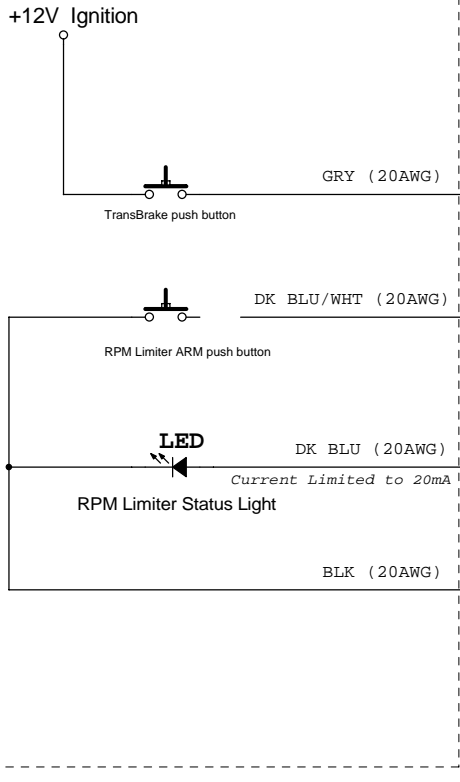
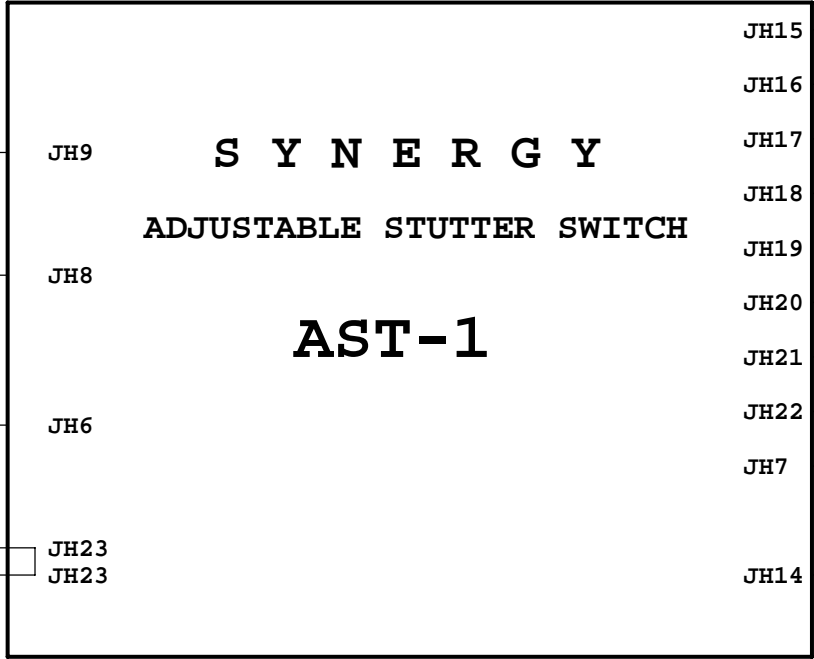


For F-Body '98 (old PCM)

Control Panel Inside of the car



NOTE:
Make ground wire as short as possible.



PCM	
JH15	PPL (20AWG) C1-49(RED) Ignition Control #1
JH16	RED/WHT (20AWG) C1-13(RED) Ignition Control #2
JH17	LT BLU (20AWG) C1-58(RED) Ignition Control #3
JH18	DK GRN/WHT (20AWG) C1-57(RED) Ignition Control #4
JH19	DK GRN (20AWG) C1-56(RED) Ignition Control #5
JH20	LT BLU/WHT (20AWG) C1-54(RED) Ignition Control #6
JH21	RED (20AWG) C1-53(RED) Ignition Control #7
JH22	PPL/WHT (20AWG) C1-52(RED) Ignition Control #8
JH7	WHT (20AWG) C2-35(BLU) Engine Speed (TACH)
JH14	PNK (18AWG) C2-19(BLU) PCM Ignition Supply

Advanced Electronics Solutions Inc.		
Title Adjustable Stutter Switch AST-1		
Size B	Document Number nwl-1.dsn	Rev B
Date: Tuesday, July 18, 2006	Sheet 1 of 3	