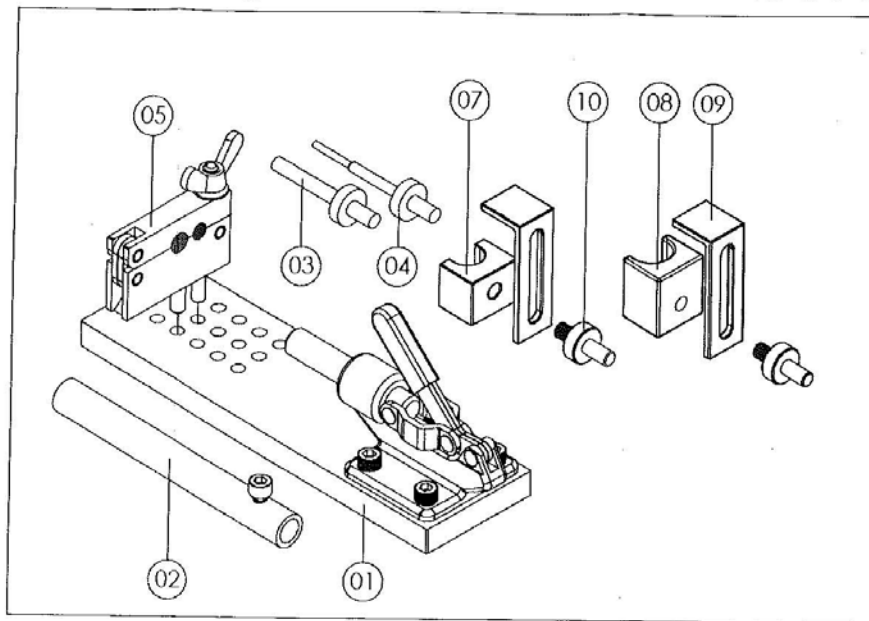


KTI-75300



### FUEL LINE QUICK CONNECT ASSEMBLY TOOL



- ①KTP-75300-1 Tool W/O Holder 1PC (TF-1000)
- ②KTP-75300-2 Handle for lever 1PC (101)
- ③KTP-75300-3 Large pin insert 1PC (201)
- ④KTP-75300-4 Small pin insert 1PC (202)
- ⑤KTP-75300-5 Fuel line tube holder 1PC (401)
- ⑦KTP-75300-7 90 degree fitting med 1PC (302)
- ⑧KTP-75300-8 90 degree fitting large 1PC (303)
- ⑨KTP-75300-9 L-Bracket 1PC (102)
- ⑩KTP-75300-10 Thumb bolt 2PCS(103)

## INSTRUCTION FOR FUEL LINE TOOL



1. PLACE THE BASE WITH LEVER ON FLAT SURFACE AND ATTACH HANDLE.
2. ATTACH FUEL LINE HOLDER LINING UP PROPER HOLE (5/16") OR (3/8") FUEL LINE OPPOSITE THE LEVER WITH FITTING HOLDER.
3. INSTALL FUEL LINE IN THE LINE HOLDER AND TIGHTEN SECURELY WITH THE WING NUT. PUT PROPER FUEL LINE FITTING HOLDER INTO THE HOLE IN THE LEVER PRESS.
4. USE THE HOLDER W/BACKET FOR 90 DEGREE BENT FUEL LINE FITTINGS AND USE PIN STYLE HOLDER FOR STAIGHT FUEL LINE FITTINGS AND BRASS BARBS.
5. WHEN THE FUEL LINE FITTING STRAIGHT OR BENT LINES UP WITH THE FUEL LINE. THEN MOVE LEVER FORWARD UNTIL CONNECTION IS MADE. THE SAME PROCESS IS FOLLOWED WHEN INSERTING A BRASS BARB. An OTIEKER STYLE CLAMP MAY BE ADDED TO SECURE THE CONNECTION. USE CLAMP INSTALATION TOOL #2004 TO COMPLETE THE SECURING OF THE CLAMP.
6. AFTER THE FUEL LINE REPAIR LINE IS COMPLETE. IT MAY BE TAKEN TO THE VEHICLE AND ATTACHED TO THE EXISITING FUEL LINE.