

678091

### Drive Belt Idler Pulley Replacement - Accessory

#### Removal Procedure

1. Loosen the drive belt idler pulley bolt.
2. Remove the accessory drive belt. Refer to *Drive Belt Replacement - Accessory* on page 6-323.
3. Remove the drive belt idler pulley assembly (1).

#### Installation Procedure

1. Install the idler pulley assembly (1) onto the generator bracket post (2).

**Important:** Be sure that the idler pulley rear dust shield is fully seated against the shoulder on the generator bracket post (2) before tightening the bolt.

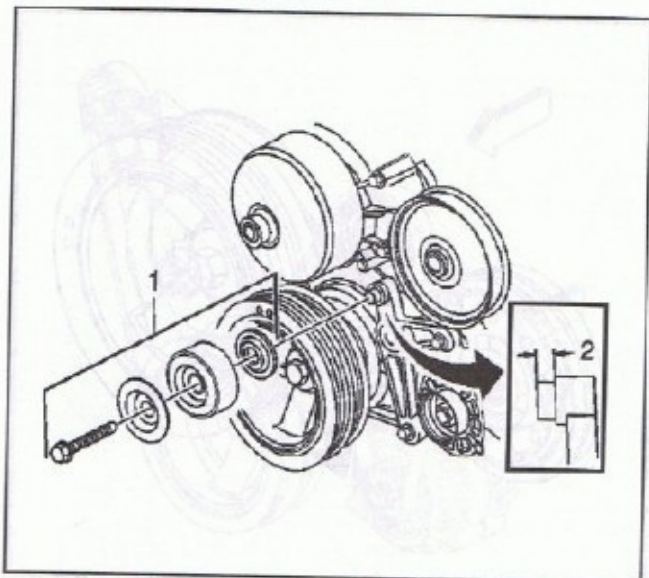
2. Install the drive belt idler pulley bolt until snug.
3. Install the accessory drive belt. Refer to *Drive Belt Replacement - Accessory* on page 6-323.

**Notice:** Refer to *Fastener Notice* on page P-9 in Cautions and Notices.

4. Tighten the drive belt idler pulley bolt.

#### Tighten

Tighten the drive belt idler pulley bolt to 50 N·m (37 lb ft).

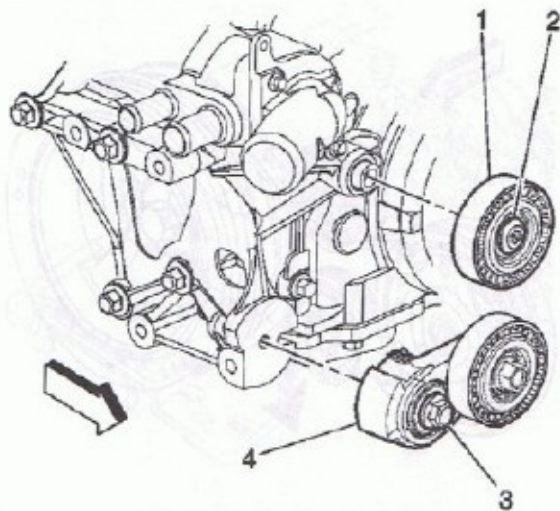


678091

### Drive Belt Idler Pulley Replacement - Air Conditioning

#### Removal Procedure

1. Loosen the air conditioning (A/C) belt idler pulley bolt (2).
2. Remove the A/C belt. Refer to *Drive Belt Replacement - Air Conditioning* on page 6-325.
3. Remove the A/C belt idler pulley (1).



220584