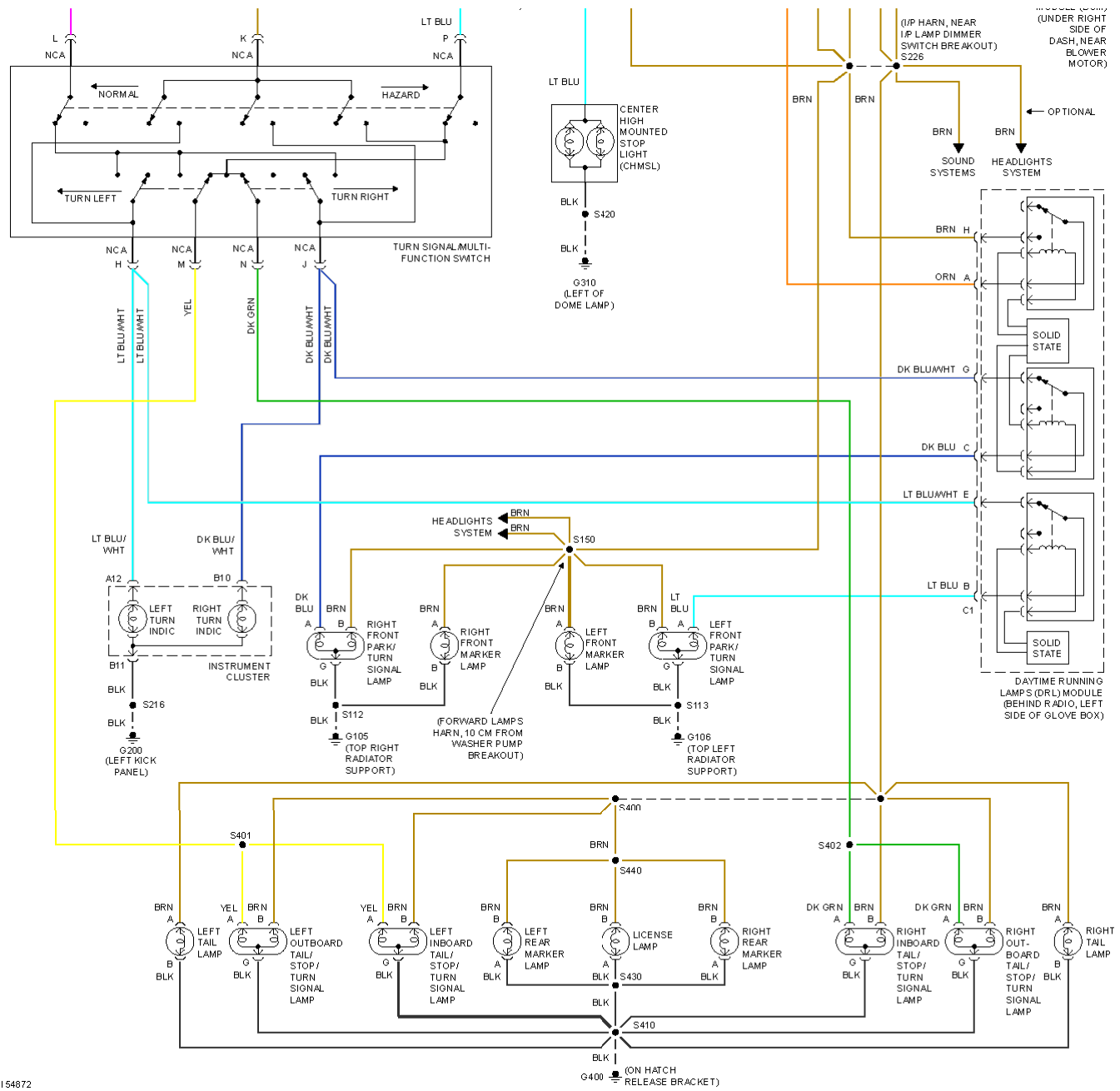


# 2001 Pontiac Firebird Trans Am

## SYSTEM WIRING DIAGRAMS

### Fig. 25: Exterior Lamps Circuit



154872