

# Lamp Sockets, Splice Savers, Weather-Pack, VF & DS Connections

### Lamp Socket Features

- Advanced bulb to terminal interface technology
- Accommodates a wide variety of bulbs—B1, C2 bayonet, W2, W3 wedge, H7 with GT280 interface
- Available sealed or unsealed systems
- Multiple focal lengths
- Right angle or axial mounting features with easy assembly and release provisions

### VF Series Features

- Accommodates a wide variety of devices
- Small overall dimensions
- Terminal Position Assurance (TPA)
- Connector Position Assurance (CPA)

### DS Series Features

- Fuel injector applications
- High sealing protection
- Reliable electrical interface
- Secure locking mechanism

### Weather-Pack Features

- Connector Position Assurance (CPA)
- Terminal Position Assurance (TPA)
- 20 Amps continuous maximum current rating
- Sealed system
- Pin and Sleeve configuration
- Dual locking tabs on terminals
- Low energy, low voltage capability
- -40°C to 125°C temperature range

### Splice Saver Features

- Eliminates the need for solder
- Flexible configuration
- Uses 280 Metri-Pack or 150 GT terminals
- Uses ISO or SAE compatible terminals
- Low profile connector with cap lock
- Available in sealed/unsealed and grounded/non-grounded versions





# Lamp Sockets

Lamp Sockets are a comprehensive and diverse product line featuring sophisticated connection systems technology. Available connection systems accommodate virtually every size and type of light bulb, as well as all varieties of bulb mounting features.



Wedge Base

Seal



Insert

## Lamp Socket Application Guidelines

| Primary Use   | Application | Socket Style | Bulb Base Type | Bulb Size | Typical Lamp Number | Part Number(s)                             | Page Number | Description     |
|---|-------------|--------------|----------------|-----------|---------------------|--|-------------|-----------------|
| Stop, Turn, Backup and Cornering Lights                         | Sealed      | Right Angle  | W-3 Wedge      | S-8       | 3156                | 12160393<br>15354859*                      | 6.4         | Single Filament |
| Stop/Tail, Park/Turn, Backup Lights and Cornering Lights        | Sealed      | Right Angle  | W-3 Wedge      | S-8       | 3057                | 12160394, 12160395<br>15354864*, 15354865* | 6.4         | Dual Filament   |
| Stop/Tail, Park/Turn, Backup Lights and Cornering Lights        | Sealed      | Axial        | W-3 Wedge      | S-8       | 3057                | 12191243, 15435155                         | 6.5         | Dual Filament   |
| Glove Box, Ash Tray Instrument Illumination and Courtesy Lights | Unsealed    | Axial        | W-2 Wedge      | T-3 1/4   | 194                 | 12162223, 12059952                         | 6.6         | Single Filament |
| Side Marker Lamps, Backup and Center High Mounted Stop Lights   | Sealed      | Axial        | W-2 Wedge      | T-3 1/4   | 168                 | 15317651, 15324946                         | 6.7         | Single Filament |
|   | Sealed      | Axial        | W-2 Wedge      | T5        | 912                 | 15324946                                   |             |                 |
| Side Marker Lamps, Backup and Center High Mounted Stop Lights   | Sealed      | Right Angle  | W-2 Wedge      | T-3 1/4   | 168                 | 12146418                                   | 6.7         | Single Filament |
| Stop, Turn, Backup and Cornering Lights                         | Sealed      | Right Angle  | B-1 Bayonet    | S-8       | 1156                | 12160386                                   | 6.8         | Single Filament |
| Stop/Tail, Park/Turn, Backup Lights and Cornering Lights        | Sealed      | Right Angle  | C-2 Bayonet    | S-8       | 2057                | 12160390, 12160392                         | 6.8         | Dual Filament   |

\* High temperature equivalent systems for continuously powered major filament applications.

## Lamp Socket Bases

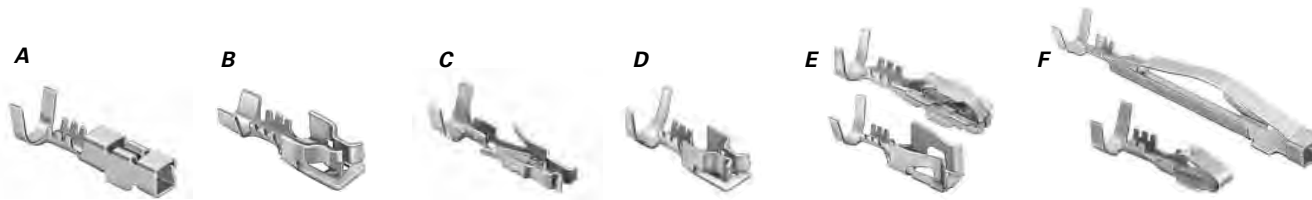
| Part #   | Application | Description                  | Color    | Material          | TPA      | Insert   | Seal                 |
|----------|-------------|------------------------------|----------|-------------------|----------|----------|----------------------|
| 12160393 | Sealed      | W-3 Right Angle Wedge Base   | Lt. Gray | PA66 HS IM        | —        | 12177161 | 12129909*            |
| 12160394 | Sealed      | W-3 Right Angle Wedge Base   | Cream    | PA66 HS IM        | —        | 12177163 | 12129909*            |
| 12160395 | Sealed      | W-3 Right Angle Wedge Base   | Md. Gray | PA66 HS IM        | —        | 12177163 | 12129909*            |
| 12191243 | Sealed      | W-3 Axial Wedge Base         | Dk. Gray | PA66 HS IM 14% GF | 15305473 | —        | 12129909*            |
| 15435155 | Sealed      | W-3 Axial Wedge Base         | Gray     | PA66 HS IM 14% GF | 15305473 | —        | 12129909*            |
| 12162223 | Unsealed    | W-2 Axial Wedge Base         | Clear    | PC                | 12052490 | —        | —                    |
| 12059952 | Unsealed    | W-2 Axial Wedge Base         | Black    | PA66 HS IM        | 15324722 | —        | —                    |
| 15324946 | Sealed      | W-2 Axial Wedge Base         | Dk. Gray | PA66 HS IM 14% GF | 12110054 | —        | Part of 15324946 Asm |
| 15317651 | Sealed      | W-2 Axial Wedge Base         | Lt. Gray | PA66 HS 33% GF    | 12191522 | —        | 15317652             |
| 12146418 | Sealed      | W-2 Right Angle Wedge Base   | Lt. Gray | PA66 HS IM        | —        | 15324428 | 12146398             |
| 12160386 | Sealed      | B-1 Right Angle Bayonet Base | Lt. Gray | PA66 HS IM        | 12129057 | —        | 12129909*            |
| 12160390 | Sealed      | C-2 Right Angle Bayonet Base | Cream    | PA66 HS IM        | 12129051 | —        | 12129909*            |
| 12160392 | Sealed      | C-2 Right Angle Bayonet Base | Md. Gray | PA66 HS IM        | 12129051 | —        | 12129909*            |

\* When an unsealed application is required, use gasket 12020720 in place of seal 12129909.

**NOTE:** Specifications in this catalog are for general reference only and are subject to change without notice. To verify product information, please contact a Delphi representative.



# Lamp Sockets



## Lamp Socket Terminals

| Series               | Type    | Application | Cable Seal Series | Terminal Part # | Cable Range | Material        | Plating    |
|----------------------|---------|-------------|-------------------|-----------------|-------------|-----------------|------------|
| <b>A</b>             |         |             |                   |                 |             |                 |            |
| W-2, W-3 Right Angle | –       | Sealed      | 280               | 12066639        | 2.0-1.0     | Tin Brass       | Tin        |
| W-2, W-3 Right Angle | –       | Sealed      | 280               | 12066638        | 0.80-0.50   | Tin Brass       | Tin        |
| W-2, W-3 Right Angle | –       | Sealed      | 280               | 12186320        | 0.50-0.35   | Tin Brass       | Tin        |
| <b>B</b>             |         |             |                   |                 |             |                 |            |
| W-2 Axial            | –       | Unsealed    | –                 | 12089139        | 0.80-0.50   | Brass           | Copper/Tin |
| W-2 Axial            | –       | Unsealed    | –                 | 12089137        | 3.0         | Brass           | Copper/Tin |
| <b>C</b>             |         |             |                   |                 |             |                 |            |
| W-2 Axial            | –       | Sealed      | 280               | 12176852        | 1.0-0.80    | Brass           | Tin        |
| W-2 Axial            | –       | Sealed      | 280               | 12176853        | 0.50-0.35   | Brass           | Tin        |
| <b>D</b>             |         |             |                   |                 |             |                 |            |
| W-2 Axial            | –       | Sealed      | 480               | 12124471        | 1.0-0.80    | Brass           | Copper/Tin |
| W-2 Axial            | –       | Sealed      | 480               | 12124598        | 0.50-0.35   | Brass           | Copper/Tin |
| <b>E</b>             |         |             |                   |                 |             |                 |            |
| W-3 Axial            | Contact | Sealed      | 280               | 12092058        | 0.80-0.50   | Tin Brass       | Tin        |
| W-3 Axial            | Contact | Sealed      | 280               | 12088187        | 0.50-0.35   | Tin Brass       | Tin        |
| W-3 Axial            | Ground  | Sealed      | 630               | 12092030        | 0.80-0.50   | Tin Brass       | Tin        |
| <b>F</b>             |         |             |                   |                 |             |                 |            |
| B-1, C-2             | Contact | Sealed      | 280               | 12129052        | 1.0-0.80    | Stainless Steel | Tin        |
| B-1, C-2             | Contact | Sealed      | 280               | 15304622        | 0.50-0.35   | Stainless Steel | Tin        |
| B-1, C-2             | Ground  | Sealed      | 280               | 12129053        | 1.0-0.80    | Tin Brass       | Tin        |
| B-1, C-2             | Ground  | Sealed      | 280               | 15304621        | 0.50-0.35   | Tin Brass       | Tin        |



### Metri-Pack Cable Seals

| Series | Reel Part # | Loose Part # | Cable Diameter | Material | Color   |
|--------|-------------|--------------|----------------|----------|---------|
| 280    | 12015284    | 15324982     | 2.85-2.03      | Silicone | Green   |
| 280    | 12034365    | 15324983     | 1.70-1.29      | Silicone | Dk. Red |
| 280    | 12041352    | 15324984     | 2.42-2.03      | Silicone | Tan     |
| 280    | 12089444    | 15324985     | 2.15-1.60      | Silicone | Purple  |
| 480    | 12048433    | 15324988     | 2.85-2.01      | Silicone | White   |
| 480    | 12052931    | 15324991     | 2.15-1.60      | Silicone | Yellow  |
| 630    | 12077760    | 15324997     | 2.40-1.65      | Silicone | Tan     |

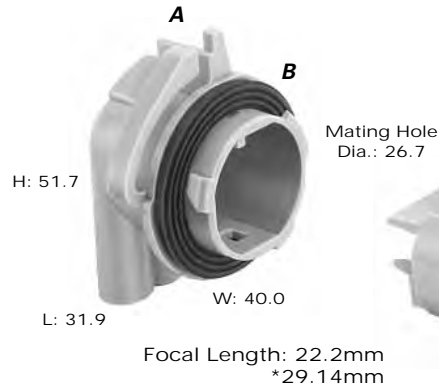
**NOTE:** Specifications in this catalog are for general reference only and are subject to change without notice. To verify product information, please contact a Delphi representative.



# Lamp Sockets

**A. Part No: 12160393 (Lt. Gray)  
15326290 (Cream)  
15326291\* (Cream)**

|               |  |
|---------------|--|
| Description:  | W-3 Right Angle Wedge Base             |
| Size:         | 26.7 Hole Dia. x 31.9L x 51.7H x 40.0W |
| Material:     | PA66 HS IM                             |
| Terminals:    | See A, Page 6.3                        |
| Seals:        | 280 Metri-Pack Cable Seals             |
| Typical Lamp: | #3156                                  |
| *Note:        | Focal Length: 29.14mm.                 |



**B. Part No: 12129909\*\***

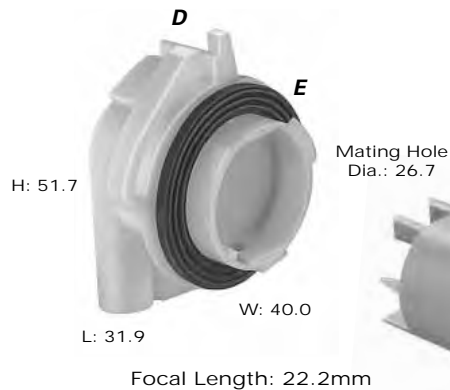
|              |       |
|--------------|-------|
| Description: | Seal  |
| Color:       | Black |
| Material:    | EPDM  |

**C. Part No: 12177161**

|              |                       |
|--------------|-----------------------|
| Description: | Insert with Terminals |
| Color:       | Lt. Gray              |
| Material:    | PA66 HS IM            |

**D. Part No: 12160394**

|               |  |
|---------------|--|
| Description:  | W-3 Right Angle Wedge Base             |
| Size:         | 26.7 Hole Dia. x 31.9L x 51.7H x 40.0W |
| Color:        | Cream                                  |
| Material:     | PA66 HS IM                             |
| Terminals:    | See A, Page 6.3                        |
| Seals:        | 280 Metri-Pack Cable Seals             |
| Typical Lamp: | #3057                                  |

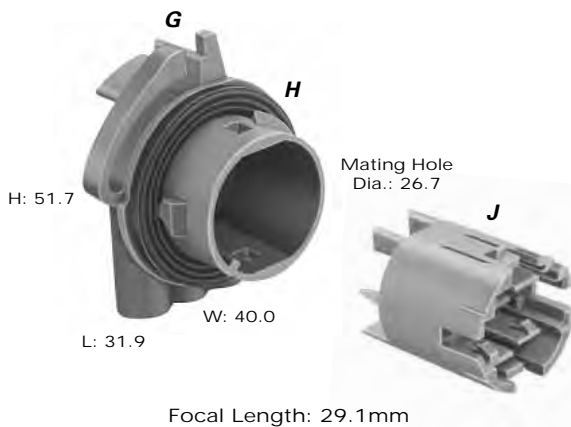


**E. Part No: 12129909\*\***

|              |       |
|--------------|-------|
| Description: | Seal  |
| Color:       | Black |
| Material:    | EPDM  |

**F. Part No: 12177163**

|              |                       |
|--------------|-----------------------|
| Description: | Insert with Terminals |
| Color:       | Beige                 |
| Material:    | PA66 HS IM            |



**G. Part No: 12160395**

|               |  |
|---------------|--|
| Description:  | W-3 Right Angle Wedge Base             |
| Size:         | 26.7 Hole Dia. x 31.9L x 51.7H x 40.0W |
| Color:        | Md. Gray                               |
| Material:     | PA66 HS IM                             |
| Terminals:    | See A, Page 6.3                        |
| Seals:        | 280 Metri-Pack Cable Seals             |
| Typical Lamp: | #3057                                  |

**H. Part No: 12129909\***

|              |       |
|--------------|-------|
| Description: | Seal  |
| Color:       | Black |
| Material:    | EPDM  |

**J. Part No: 12177163**

|              |            |
|--------------|------------|
| Description: | Insert     |
| Color:       | Beige      |
| Material:    | PA66 HS IM |

\*\*When an unsealed application is required, use gasket 12020720 in place of seal 12129909.

**NOTE:** Specifications in this catalog are for general reference only and are subject to change without notice. To verify product information, please contact a Delphi representative.



# Lamp Sockets



**A. Part No: 12191243**

Description: W-3 Axial Wedge Base  
 Size: 26.7 Hole Dia. x 40.0L x 35.6H x 35.6W  
 Color: Dk. Gray  
 Material: PA66 HS IM 14% GF  
 Terminals: See E, Page 6.3 (2 Contacts, 1 Ground)  
 Seals: 280 and 630 Metri-Pack Cable Seals  
 Typical Lamp: #3057

**B. Part No: 12129909\***

Description: Seal  
 Color: Black  
 Material: EPDM

**C. Part No: 15305473**

Description: TPA  
 Color: Lt. Gray  
 Material: PA66 HS IM



**D. Part No: 15435155 (Gray)  
 15485094 (Black)**

Description: W-3 Axial Wedge Base  
 Size: 26.7 Hole Dia. x 40.0L x 35.6H x 35.6W  
 Material: PA66 HS IM 14% GF  
 Terminals: See E, Page 6.3 (2 Contacts, 1 Ground)  
 Seals: 280 and 630 Metri-Pack Cable Seals  
 Typical Lamp: #3057

**E. Part No: 12129909\***

Description: Seal  
 Color: Black  
 Material: EPDM

**F. Part No: 15305473**

Description: TPA  
 Color: Lt. Gray  
 Material: PA66 HS IM

\* When an unsealed application is required, use gasket 12020720 (pictured) in place of seal 12129909.

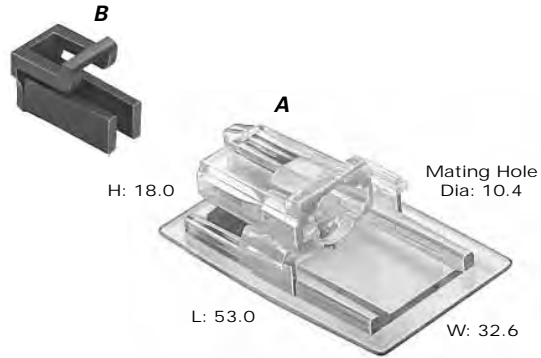
**NOTE:** Specifications in this catalog are for general reference only and are subject to change without notice. To verify product information, please contact a Delphi representative.



# Lamp Sockets

**A. Part No: 12162223 (Clear)  
12162222 (White)**

|               |  |
|---------------|--|
| Description:  | W-2 Axial Wedge Base                   |
| Size:         | 10.4 Hole Dia. x 53.0L x 18.0H x 32.6W |
| Material:     | PC                                     |
| Terminals:    | See B, Page 6.3                        |
| Typical Lamp: | #194                                   |

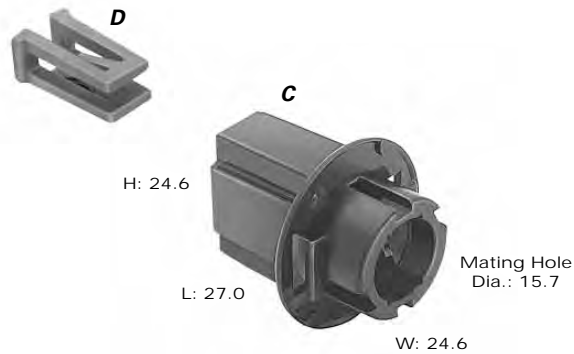


**B. Part No: 12052490**

|              |       |
|--------------|-------|
| Description: | TPA   |
| Color:       | Black |
| Material:    | PA6   |

**C. Part No: 12059952**

|               |  |
|---------------|--|
| Description:  | W-2 Axial Wedge Base                   |
| Size:         | 15.7 Hole Dia. x 27.0L x 24.6H x 24.6W |
| Color:        | Black                                  |
| Material:     | PA66 HS IM                             |
| Terminals:    | See B, Page 6.3                        |
| Typical Lamp: | #194                                   |



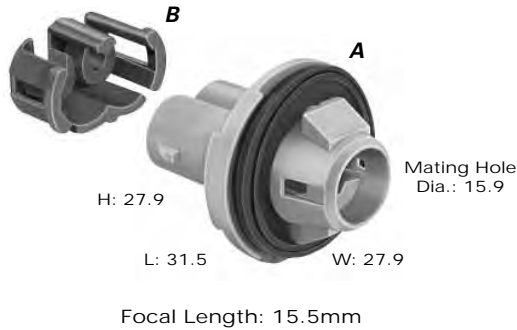
**D. Part No: 15324722**

|              |           |
|--------------|-----------|
| Description: | TPA       |
| Color:       | Red       |
| Material:    | PBT HS IM |

**NOTE:** Specifications in this catalog are for general reference only and are subject to change without notice. To verify product information, please contact a Delphi representative.



# Lamp Sockets



**A. Part No: 15324946\***

|               |  |
|---------------|--|
| Description:  | W-2 Axial Wedge Base                   |
| Size:         | 15.9 Hole Dia. x 31.5L x 27.9H x 27.9W |
| Color:        | Dk. Gray                               |
| Material:     | PA66 HS IM 14% GF                      |
| Terminals:    | See D, Page 6.3                        |
| Seals:        | 480 Metri-Pack Cable Seals             |
| Typical Lamp: | #168 or #912                           |

**B. Part No: 12110054**

|  |            |
|--|------------|
| Description:                             | TPA        |
| Color:                                   | Black      |
| Material:                                | PA66 HS IM |
| *12146398 seal part of 15324946 assembly |            |



**C. Part No: 15317651**

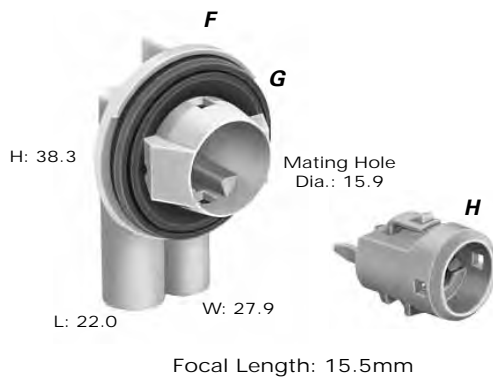
|               |  |
|---------------|--|
| Description:  | W-2 Axial Wedge Base                   |
| Size:         | 15.3 Hole Dia. x 31.9L x 20.5H x 20.5W |
| Color:        | Lt. Gray                               |
| Material:     | PA66 HS 33% GF                         |
| Terminals:    | See C, Page 6.3                        |
| Seals:        | 280 Metri-Pack Cable Seals             |
| Typical Lamp: | #194                                   |

**D. Part No: 15317652**

|              |        |
|--------------|--------|
| Description: | O-Ring |
| Color:       | Black  |
| Material:    | EPDM   |

**E. Part No: 12191522**

|              |            |
|--------------|------------|
| Description: | TPA        |
| Color:       | Blue       |
| Material:    | PA66 HS IM |



**F. Part No: 12146418**

|               |  |
|---------------|--|
| Description:  | W-2 Right Angle Wedge Base             |
| Size:         | 15.9 Hole Dia. x 22.0L x 38.3H x 27.9W |
| Color:        | Lt. Gray                               |
| Material:     | PA66 HS IM                             |
| Terminals:    | See A, Page 6.3                        |
| Seals:        | 280 Metri-Pack Cable Seals             |
| Typical Lamp: | #168                                   |

**G. Part No: 12146398**

|              |            |
|--------------|------------|
| Description: | Seal       |
| Color:       | Black      |
| Material:    | Santoprene |

**H. Part No: 15324428**

|              |          |
|--------------|----------|
| Description: | Insert   |
| Color:       | Lt. Gray |
| Material:    | PA66     |

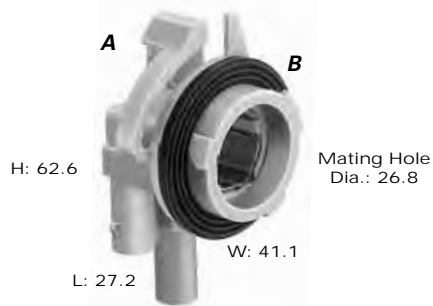
**NOTE:** Specifications in this catalog are for general reference only and are subject to change without notice. To verify product information, please contact a Delphi representative.



# Lamp Sockets

**A. Part No: 12160386**

Description: B-1 Right Angle Bayonet Base  
 Size: 26.8 Hole Dia. x 27.2L x 62.6H x 41.1W  
 Color: Lt. Gray  
 Material: PA66 HS IM  
 Terminals: See F, Page 6.3 (1 Contact, 1 Ground)  
 Seals: 280 Metri-Pack Cable Seals  
 Typical Lamp: #1156

**B. Part No: 12129909\***

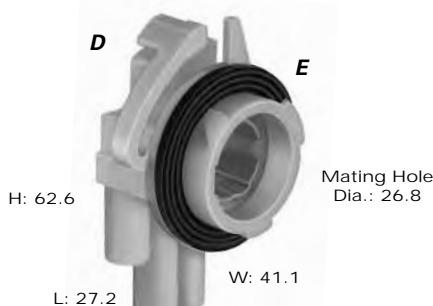
Description: Seal  
 Color: Black  
 Material: EPDM

**C. Part No: 12129057**

Description: TPA  
 Color: Blue  
 Material: PA66 HS IM

**D. Part No: 12160390**

Description: C-2 Right Angle Bayonet Base  
 Size: 26.8 Hole Dia. x 27.2L x 62.6H x 41.1W  
 Color: Cream  
 Material: PA66 HS IM  
 Terminals: See F, Page 6.3 (2 Contacts, 1 Ground)  
 Seals: 280 Metri-Pack Cable Seals  
 Typical Lamp: #2057

**E. Part No: 12129909\***

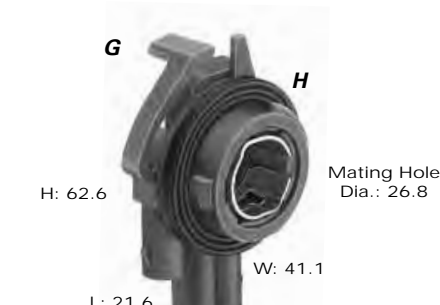
Description: Seal  
 Color: Black  
 Material: EPDM

**F. Part No: 12129051**

Description: TPA  
 Color: Blue  
 Material: PA66 HS IM

**G. Part No: 12160392**

Description: C-2 Right Angle Bayonet Base  
 Size: 26.8 Hole Dia. x 21.6L x 62.6H x 41.1W  
 Color: Md. Gray  
 Material: PA66 HS IM  
 Terminals: See F, Page 6.3 (2 Contacts, 1 Ground)  
 Seals: 280 Metri-Pack Cable Seals  
 Typical Lamp: #2057

**H. Part No: 12129909\***

Description: Seal  
 Color: Black  
 Material: EPDM

**J. Part No: 12129051**

Description: TPA  
 Color: Blue  
 Material: PA66 HS IM



\*When an unsealed application is required, use gasket 12020720 in place of seal 12129909.

**NOTE:** Specifications in this catalog are for general reference only and are subject to change without notice. To verify product information, please contact a Delphi representative.



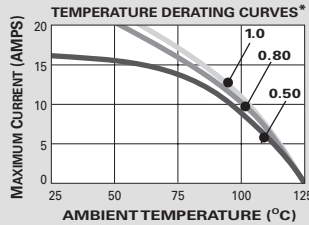
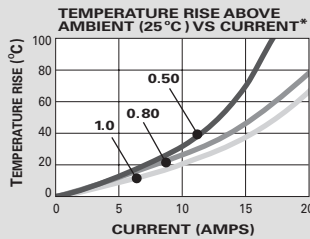




# Splice Savers

## Unsealed System Application Information

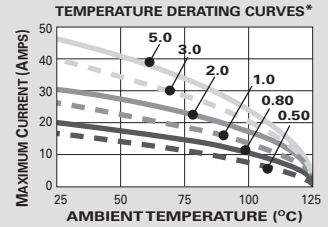
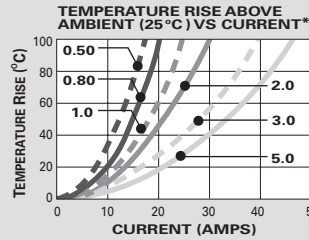
### GT 150 Series Terminals – Tin Plated



CABLE RANGE (mm<sup>2</sup>): ..... 0.35-1.0  
 CURRENT RANGE (AMPS): ..... 0-15  
 TEMP RANGE °C: ..... -40 to 125  
 RESISTANCE: ..... <10mΩ@20mV

VOLTAGE DROP: ... <10.0mV/amp  
 CENTERLINE SPACING (mm): ..... 3.4  
 BLADE WIDTH (mm): ..... 1.5

### 280 Series Terminals – Tin Plated



CABLE RANGE (mm<sup>2</sup>): ..... 0.35-5.0  
 CURRENT RANGE (AMPS): ..... 0-30  
 TEMP RANGE °C: ..... -40 to 125  
 RESISTANCE: ..... <10mΩ@20mV

VOLTAGE DROP: ..... <5.0mV/amp  
 CENTERLINE SPACING (mm): .50/6.3  
 BLADE WIDTH (mm): ..... 2.8

\*The test data are based on single circuits in free space and were generated using a "Lumped Resistance" model. This model does not account for all of the variables that would be present in an actual application. For actual product performance, contact your regional support representative.

TPA  
(Terminal Position Assurance)



Female Terminal



Female Connector



Cap Assembly



#### GT 150 Female Terminals Unsealed

| Part #   | Cable Range (mm <sup>2</sup> ) | Material  | Plating |
|----------|--------------------------------|-----------|---------|
| 12191811 | 0.50 - 0.35                    | Tin Brass | Tin     |
| 12191812 | 1.0 - 0.75                     | Tin Brass | Tin     |

#### 280 M/P Tangleless Female Terminals Unsealed

| Part #   | Cable Range (mm <sup>2</sup> ) | Material  | Plating |
|----------|--------------------------------|-----------|---------|
| 12110842 | 3.0 - 2.0                      | Tin Brass | Tin     |
| 12110844 | 1.0 - 0.80                     | Tin Brass | Tin     |
| 12110843 | 0.50 - 0.35                    | Tin Brass | Tin     |
| 12129061 | 2.0-0.35                       | Tin Brass | Tin     |

#### Splice Saver Connections Unsealed

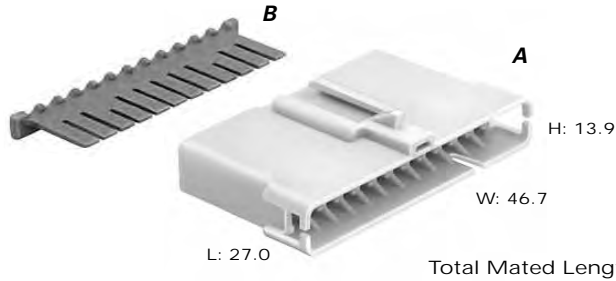
| Cavity Description              | Part #   | Color    | Material   | TPA      | Cap Assembly                  | Splice Configuration |
|---------------------------------|----------|----------|------------|----------|-------------------------------|----------------------|
| 12Way GT 150                    | 12191216 | Lt. Gray | PA66 HS IM | 12176462 | 12191217                      | 1-12 Way             |
| 12Way GT 150                    | 12176460 | Black    | PA66 HS IM | 12176462 | 12176469                      | 2-6 Ways             |
| 12Way 280 Metri-Pack Lg. Cavity | 12176473 | Black    | PA66 HS IM | 12176475 | 12176478                      | 4-3 Ways             |
| 12Way 280 Metri-Pack            | 15305288 | Black    | PA66 HS IM | 12176513 | 15305289                      | 2-6 Ways             |
| 12Way 280 Metri-Pack            | 15305291 | Black    | PA66 HS IM | 12176513 | 15305292                      | 1-12 Way             |
| 12Way 280 Metri-Pack            | 15305294 | Black    | PA66 HS IM | 12176513 | 15305295 w/M6 Hole            | 1-12 Way             |
| 12Way 280 Metri-Pack            | 15305294 | Black    | PA66 HS IM | 12176513 | 15492655 w/M6 Bolt            | 1-12 Way             |
| 12Way 280 Metri-Pack            | 15305294 | Black    | PA66 HS IM | 12176513 | 15354635 w/M6 Bolt & Retainer | 1-12 Way             |
| 12Way 280 Metri-Pack            | 15305297 | Black    | PA66 HS IM | 12176513 | 15305298 w/M10 Hole           | 1-12 Way             |

NOTE: Specifications in this catalog are for general reference only and are subject to change without notice. To verify product information, please contact a Delphi representative.



# Splice Savers

Splice Saver connectors are capable of providing one or several splices within a single connection assembly. Splicing is accomplished within the male cap assembly using a segmented bus blade.

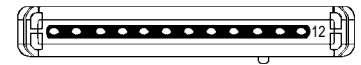


**A. Part No: 12191216 (Lt. Gray)  
12176460 (Black)**

|              |                       |
|--------------|-----------------------|
| Description: | Connector GT 150 12F  |
| Size:        | 27.0L x 13.9H x 46.7W |
| Material:    | PA66 HS IM            |
| Terminals:   | See Page 6.10, GT 150 |

**B. Part No: 12176462**

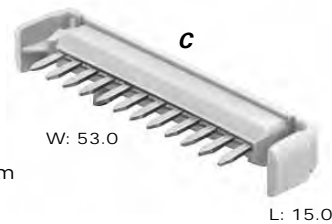
|              |            |
|--------------|------------|
| Description: | TPA        |
| Color:       | Md. Gray   |
| Material:    | PA66 HS IM |



**12191217** Cap Assembly 1-12M  
Mates to Connector  
12191216

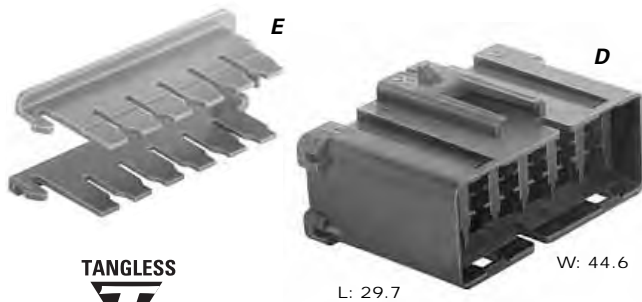


**12176469** Cap Assembly 2-6M  
Mates to Connector  
12176460



**C. Part No: 12191217 (Md. Gray, 1-12M)  
12176469 (Lt. Gray, 2-6M)**

|              |                      |
|--------------|----------------------|
| Description: | Cap Assembly         |
| Size:        | 15.0L x 7.8H x 53.0W |
| Material:    | PA66 HS IM           |

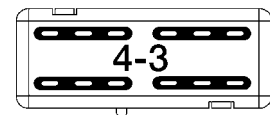


**D. Part No: 12176473**

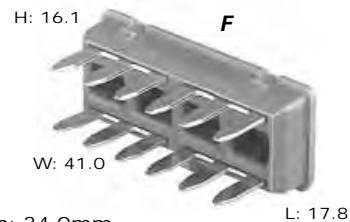
|              |   |
|--------------|---|
| Description: | Connector Metri-Pack 280 12F (Large Cavity) |
| Size:        | 29.7L x 19.6H x 44.6W                       |
| Color:       | Black                                       |
| Material:    | PA66 HS IM                                  |
| Terminals:   | See Page 6.10, 280 Metri-Pack Tangless      |

**E. Part No: 12176475**

|              |            |
|--------------|------------|
| Description: | TPA        |
| Color:       | Gray       |
| Material:    | PA66 HS IM |



**12176478** Cap Assembly 4-3M  
Mates to Connector  
12176473



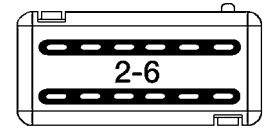
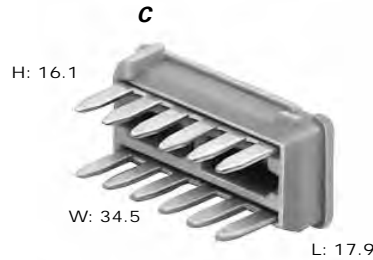
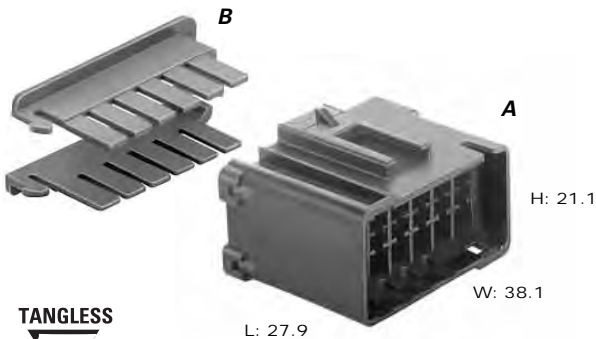
**F. Part No: 12176478**

|              |                       |
|--------------|-----------------------|
| Description: | Cap Assembly 4-3M     |
| Size:        | 17.8L x 16.1H x 41.0W |
| Color:       | Brown                 |
| Material:    | PA66 HS IM            |

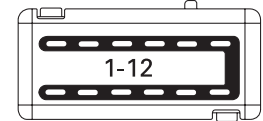
**NOTE:** Specifications in this catalog are for general reference only and are subject to change without notice. To verify product information, please contact a Delphi representative.



# Splice Savers



**15305289** Cap Assembly 2-6M  
Mates to Connector  
15305288



**15305292** Cap Assembly 1-12M  
Mates to Connector  
15305291



L: 27.9

H: 21.1

W: 38.1

H: 16.1

W: 34.5

L: 17.9

Total Mated Length: 34.0mm

**A. Part No: 15305288  
15305291**

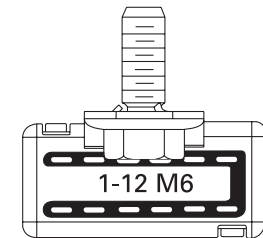
|              |   |
|--------------|---|
| Description: | Connector 280 Metri-Pack 12F              |
| Size:        | 27.9L x 21.1H x 38.1W                     |
| Color:       | Black                                     |
| Material:    | PA66 HS IM                                |
| Terminals:   | See Page 6.10, 280 Metri-Pack<br>Tangless |

**C. Part No: 15305289  
(Lt. Green, 2-6M)  
15305292  
(Cream, 1-12M)**

|              |                       |
|--------------|-----------------------|
| Description: | Cap Assembly          |
| Size:        | 17.9L x 16.1H x 34.5W |
| Material:    | PA66 HS IM            |

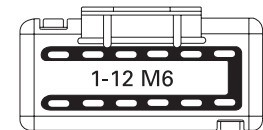
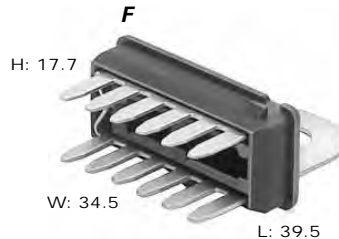
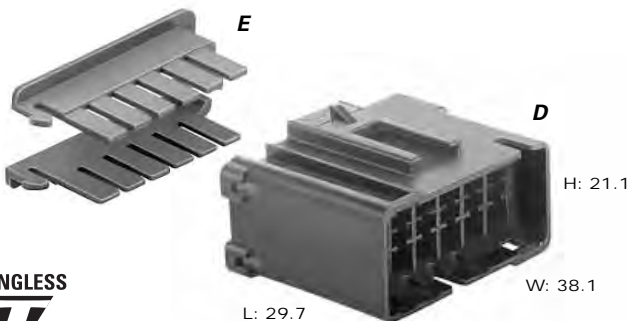
**B. Part No: 12176513**

|              |            |
|--------------|------------|
| Description: | TPA        |
| Color:       | Md. Gray   |
| Material:    | PA66 HS IM |



**15492655** Cap Assembly 1-12M  
with Bolt Mates to  
Connector 15305294

**15354635** Cap Assembly 1-12M  
with Bolt/Retainer  
Mates to Connector  
15305294



**15305295** Cap Assembly 1-12M  
Mates to Connector  
15305294



L: 29.7

H: 21.1

W: 38.1

H: 17.7

W: 34.5

L: 39.5

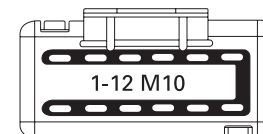
Total Mated Length: 56.7mm

**D. Part No: 15305294  
15305297**

|              |   |
|--------------|---|
| Description: | Connector 280 Metri-Pack 12F              |
| Size:        | 29.7L x 21.1H x 38.1W                     |
| Color:       | Black                                     |
| Material:    | PA66 HS IM                                |
| Terminals:   | See Page 6.10, 280 Metri-Pack<br>Tangless |

**F. Part No: 15492655  
(Black, M6 Bolt Included)  
15305295  
(Black, M6 Hole)  
15354635  
(Black, M6 Bolt and  
Retainer Included)  
15305298  
(Beige, M10 Hole)**

|              |                       |
|--------------|-----------------------|
| Description: | Cap Assembly 1-12M    |
| Size:        | 39.5L x 17.7H x 34.5W |
| Material:    | PA66 HS IM            |



**15305298** Cap Assembly 1-12M  
Mates to Connector  
15305297

**E. Part No: 12176513**

|              |            |
|--------------|------------|
| Description: | TPA        |
| Color:       | Md. Gray   |
| Material:    | PA66 HS IM |

**NOTE:** Specifications in this catalog are for general reference only and are subject to change without notice. To verify product information, please contact a Delphi representative.

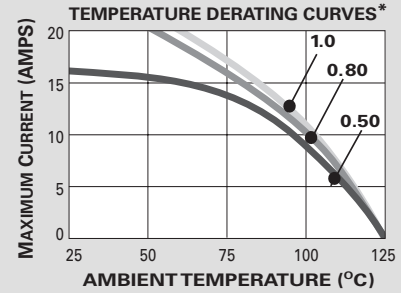
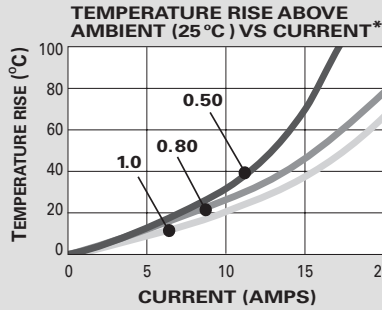


# Splice Savers

## Sealed System Application Information

### GT 150 Series Terminals – Tin Plated

CABLE RANGE (mm<sup>2</sup>): ..... **0.35-1.0**  
 CURRENT RANGE (AMPS): ..... **0-15**  
 TEMP RANGE °C: ..... **-40 to 125**  
 RESISTANCE: ..... **<10mΩ@20mV**  
 VOLTAGE DROP: .... **<10.0mV/amp**  
 CENTERLINE SPACING (mm): ..... **4.5**  
 BLADE WIDTH (mm): ..... **1.5**



\*The test data are based on single circuits in free space and were generated using a "Lumped Resistance" model. This model does not account for all of the variables that would be present in an actual application. For actual product performance, contact your regional support representative.



#### GT 150 Female Terminals Sealed

| Part #   | Cable Range (mm <sup>2</sup> ) | Material  | Plating |
|----------|--------------------------------|-----------|---------|
| 12191818 | 0.50 - 0.35                    | Tin Brass | Tin     |
| 12191819 | 1.0 - 0.75                     | Tin Brass | Tin     |

#### GT 150 Cable Seals

| Reel Part # | Loose Part # | Cable Range (mm <sup>2</sup> ) | Material | Color |
|-------------|--------------|--------------------------------|----------|-------|
| 12191152    | 15366021     | 1.20 - 1.90                    | Silicone | White |
| 12191153    | 15366060     | 1.86 - 2.40                    | Silicone | Blue  |

#### GT 150 Cavity Plug\*

| Part #   | Cavity Diameter | Material | Color |
|----------|-----------------|----------|-------|
| 15305171 | 4.0 mm          | Silicone | Green |

\*Cavity plugs seal unused female and male cavities.

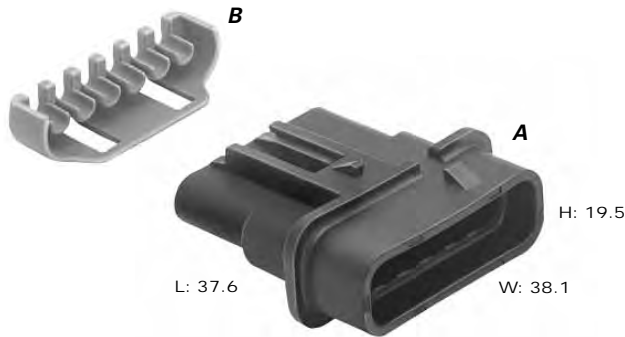
#### Splice Saver Connections Sealed

| Cavity Description | Part #   | Color | Material          | TPA      | Cap Assembly    | Splice Configuration |
|--------------------|----------|-------|-------------------|----------|-----------------|----------------------|
| 6Way GT 150        | 12191910 | Black | PA66 HS IM 14% GF | 12191911 | 12191914 w/Seal | 1-6 Way              |
| 12Way GT 150       | 12191900 | Black | PA66 HS IM14% GF  | 12191901 | 12191904 w/Seal | 1-12 Way             |
| 12Way GT 150       | 12191905 | Black | PA66 HS IM14% GF  | 12191901 | 12191908 w/Seal | 3-4 Ways             |

**NOTE:** Specifications in this catalog are for general reference only and are subject to change without notice. To verify product information, please contact a Delphi representative.



# Splice Savers



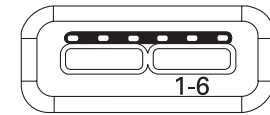
L: 37.6

W: 38.1

H: 19.5

H: 16.2

W: 38.0



**12191914** Cap Assembly 1-6M  
Mates to Connector  
12191910

L: 19.7

Total Mated Length: 41.8mm

**A. Part No: 12191910**

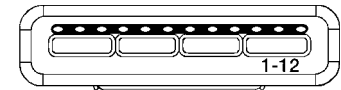
|              |                       |
|--------------|-----------------------|
| Description: | Connector 150 GT 6F   |
| Size:        | 37.6L x 19.5H x 38.1W |
| Color:       | Black                 |
| Material:    | PA66 HS IM 14% GF     |
| Terminals:   | See Page 6.13         |
| Seals/Plugs: | See Page 6.13         |

**C. Part No: 12191914**

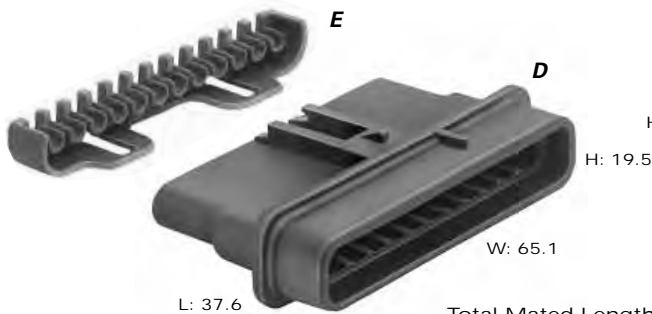
|              |                            |
|--------------|----------------------------|
| Description: | Cap Assembly 1-6M (w/Seal) |
| Size:        | 19.7L x 16.2H x 38.0W      |
| Color:       | Lt. Green                  |
| Material:    | PA66 HS IM                 |

**B. Part No: 12191911**

|              |            |
|--------------|------------|
| Description: | TPA        |
| Color:       | Md. Gray   |
| Material:    | PA66 HS IM |



**12191904** Cap Assembly 1-12M  
w/Seal Mates to  
Connector 12191900



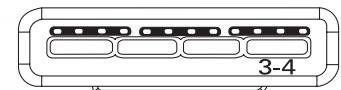
L: 37.6

W: 65.1

H: 19.5

H: 16.2

W: 65.0



**12191908** Cap Assembly 3-4M  
w/Seal Mates to  
Connector 12191905

L: 19.7

Total Mated Length: 41.5mm

**D. Part No: 12191900  
12191905**

|              |                       |
|--------------|-----------------------|
| Description: | Connector 150 GT 12F  |
| Size:        | 37.6L x 19.5H x 65.1W |
| Color:       | Black                 |
| Material:    | PA66 HS IM 14% GF     |
| Terminals:   | See Page 6.13         |
| Seals/Plugs: | See Page 6.13         |

**F. Part No: 12191904  
(Cream 1-12M w/Seal)  
12191908  
(Blue 3-4M w/Seal)**

|              |                       |
|--------------|-----------------------|
| Description: | Cap Assembly          |
| Size:        | 19.7L x 16.2H x 65.0W |
| Material:    | PA66 HS IM            |

**E. Part No: 12191901**

|              |            |
|--------------|------------|
| Description: | TPA        |
| Color:       | Md. Gray   |
| Material:    | PA66 HS IM |

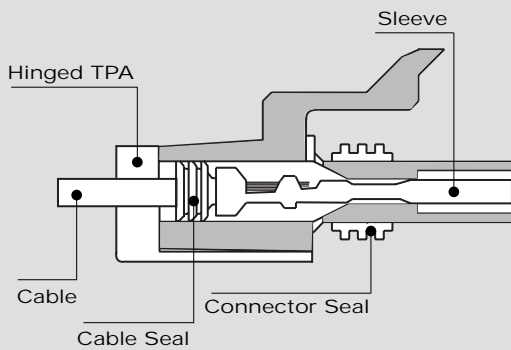
**NOTE:** Specifications in this catalog are for general reference only and are subject to change without notice. To verify product information, please contact a Delphi representative.



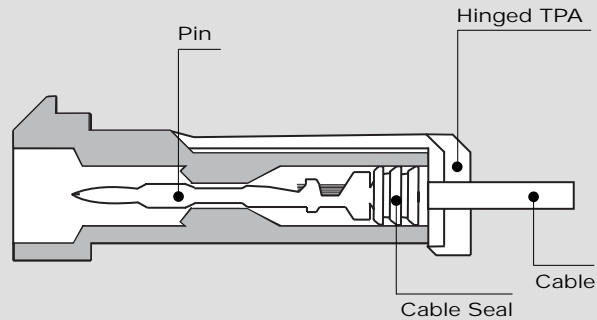


# Weather-Pack

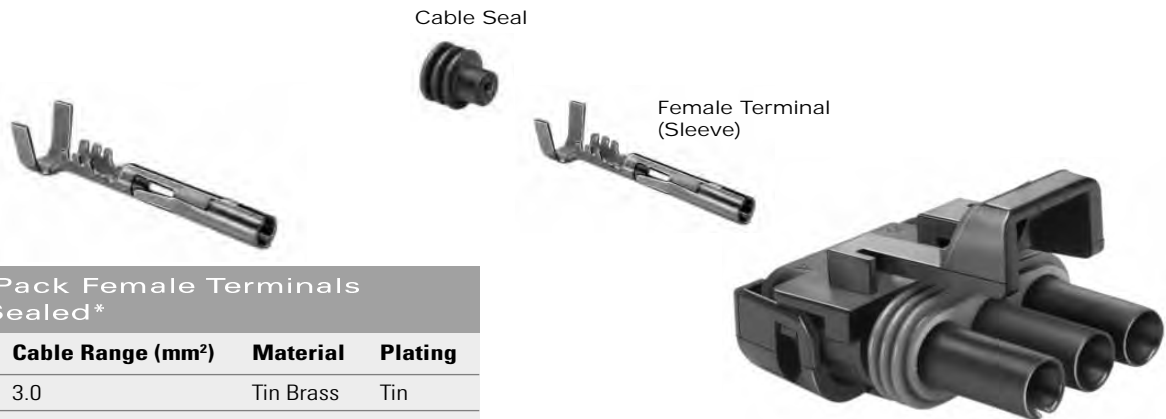
## Cross Sectional View



**Female Connector Assembly**



**Male Connector**



**Female Connector Assembly**

### Weather-Pack Female Terminals (Sleeve) Sealed\*

| Sleeve Part # | Cable Range (mm <sup>2</sup> ) | Material  | Plating |
|---------------|--------------------------------|-----------|---------|
| 12124581      | 3.0                            | Tin Brass | Tin     |
| 12124580      | 2.0-1.0                        | Tin Brass | Tin     |
| 12089188      | 0.80-0.50                      | Tin Brass | Tin     |
| 12020801      | 0.35                           | Tin Brass | Tin     |

\* Use of the Weather-Pack 6060 gauge as a process control aid is recommended for Weather-Pack terminals. See page 10.5 in the Application Tooling section for details.



### Weather-Pack Cable Seals

| Reel Part # | Loose Part # | Cable Dia. | Material | Color  |
|-------------|--------------|------------|----------|--------|
| 12015360    | 15324981     | 4.30-3.45  | Silicone | Blue   |
| 12015359    | 15324980     | 3.49-2.81  | Silicone | Gray   |
| 12015284    | 15324982     | 2.85-2.03  | Silicone | Green  |
| 12041352    | 15324984     | 2.42-2.03  | Silicone | Tan    |
| 12089444    | 15324985     | 2.15-1.60  | Silicone | Purple |
| 12034365    | 15324983     | 1.70-1.29  | Silicone | Dk.Red |

### Weather-Pack Female Connector Assemblies Sealed

| # Cavities | Connector Assembly | Color | Material   |
|------------|--------------------|-------|------------|
| 1          | 12015791           | Black | PA6        |
| 2          | 12015792           | Black | PA66 HS IM |
| 3          | 12020829           | Black | PA66 HS IM |
| 4          | 12015798           | Black | PA6        |
| 4          | 12020832           | Black | PA66 HS IM |
| 6          | 12020926           | Black | PA66 HS IM |
| 22         | 15492531           | Black | PA6        |

**NOTE:** Specifications in this catalog are for general reference only and are subject to change without notice. To verify product information, please contact a Delphi representative.



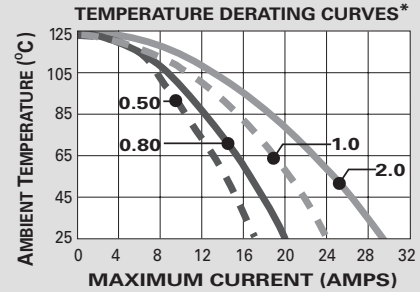
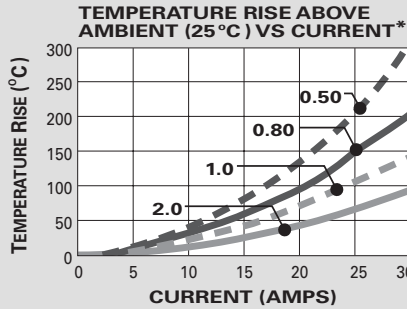


# Weather-Pack

## Sealed System Application Information

### Weather-Pack Terminals – Tin Plated

CABLE RANGE (mm<sup>2</sup>): ..... 0.35-3.0  
 CURRENT RANGE (AMPS): ..... 0-20  
 TEMP RANGE °C: ..... -40 to 125  
 RESISTANCE: ..... <10m @20mV  
 VOLTAGE DROP: ..... <3.0mV/amp  
 CENTERLINE SPACING (mm): ..... 7.7  
 BLADE WIDTH (mm): ... Pin and Sleeve



\*The test data are based on single circuits in free space and were generated using a "Lumped Resistance" model. This model does not account for all of the variables that would be present in an actual application. For actual product performance, contact your regional support representative.



Male Connector

#### Weather-Pack Male Terminals (Pin) Sealed\*

| Pin Part # | Cable Range (mm <sup>2</sup> ) | Material  | Plating |
|------------|--------------------------------|-----------|---------|
| 12124587   | 3.0                            | Tin Brass | Tin     |
| 12124582   | 2.0-1.0                        | Tin Brass | Tin     |
| 12089040   | 0.80-0.50                      | Tin Brass | Tin     |
| 12089307   | 0.35-0.22                      | Tin Brass | Tin     |

\* Use of the Weather-Pack 6060 gauge as a process control aid is recommended for Weather-Pack terminals. See page 10.5 in the Application Tooling section for details.

#### Weather-Pack Male Connectors Sealed

| # Cavities | Connector | Color | Material   |
|------------|-----------|-------|------------|
| 1          | 12010996  | Black | PA66 HS IM |
| 2          | 12010973  | Black | PA6        |
| 3          | 12020827  | Cream | PA66 HS IM |
| 4          | 12015024  | Black | PA6        |
| 4          | 12020830  | Black | PA66 HS IM |
| 6          | 12020786  | Black | PA66 HS IM |
| 22         | 15492521  | Black | PA66 HS IM |



#### Weather-Pack Cavity Plug\*

| Part #   | Cavity Inside Dia. | Material | Color |
|----------|--------------------|----------|-------|
| 12010300 | 6.7mm              | Silicone | Green |

\* Cavity plugs seal unused female and male cavities.

#### SECTION NOTES:

- Due to rigid tolerances of connector cavities, it is critical to meet all crimp dimensions as specified.
- Different color and connector indexing features are also available.

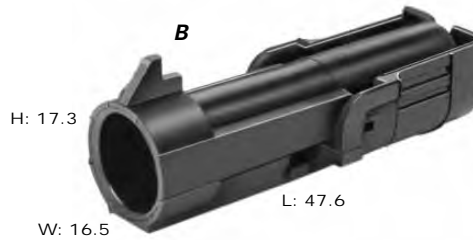
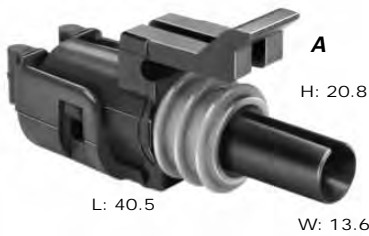
NOTE: Specifications in this catalog are for general reference only and are subject to change without notice. To verify product information, please contact a Delphi representative.



# Weather-Pack

An environmentally sealed connection system that utilizes triple-rib peripheral silicone rubber seals and individual towers to provide terminal isolation for

connector alignment. Weather-Pack sealed systems are ideally suited for critical applications that require protection from environmental hazards.



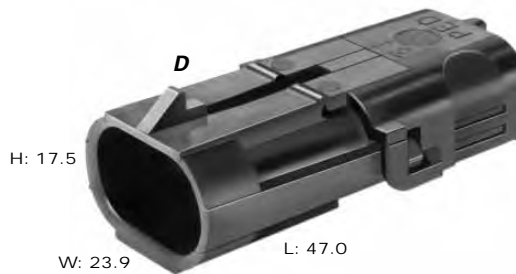
Total Mated Length: 64.5mm

**A. Part No: 12015791**

|              |                       |
|--------------|-----------------------|
| Description: | Connector Assembly 1F |
| Size:        | 40.5L x 20.8H x 13.6W |
| Color:       | Black                 |
| Material:    | PA6                   |
| Terminals:   | See Page 6.16         |
| Seals/Plugs: | See Page 6.16, 6.17   |

**B. Part No: 12010996**

|              |                       |
|--------------|-----------------------|
| Description: | Connector 1M          |
| Size:        | 47.6L x 17.3H x 16.5W |
| Color:       | Black                 |
| Material:    | PA66 HS IM            |
| Terminals:   | See Page 6.17         |
| Seals/Plugs: | See Page 6.16, 6.17   |



Total Mated Length: 68.3mm

**C. Part No: 12015792 (Black)**  
PA66 HS IM  
**12103784 (Lt. Gray)**  
PA6

|              |                       |
|--------------|-----------------------|
| Description: | Connector Assembly 2F |
| Size:        | 40.8L x 20.8H x 21.5W |
| Terminals:   | See Page 6.16         |
| Seals/Plugs: | See Page 6.16, 6.17   |

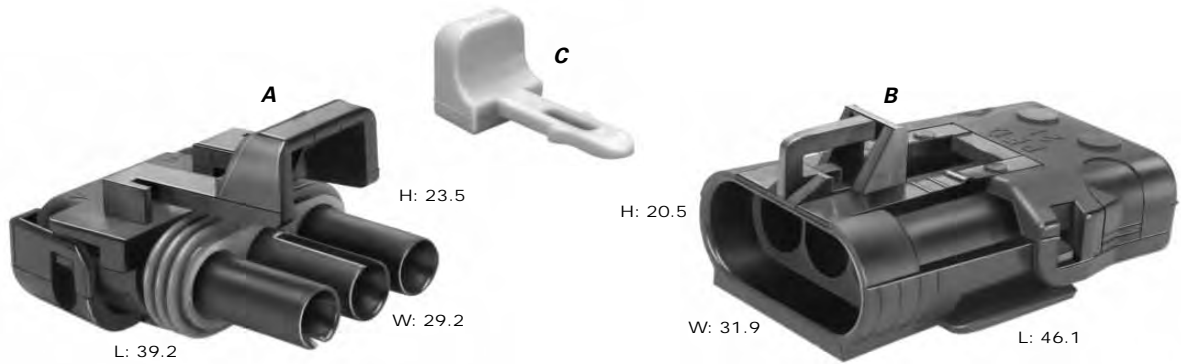
**D. Part No: 12010973 (Black)**  
PA6  
**12034074 (Md. Gray)**  
PA66 HS IM

|              |                          |
|--------------|--------------------------|
| Description: | Connector 2M (Clip Slot) |
| Size:        | 47.0L x 17.5H x 23.9W    |
| Terminals:   | See Page 6.17            |
| Seals/Plugs: | See Page 6.16, 6.17      |

**NOTE:** Specifications in this catalog are for general reference only and are subject to change without notice. To verify product information, please contact a Delphi representative.



# Weather-Pack



Total Mated Length: 65.8mm

**A. Part No: 12020829**

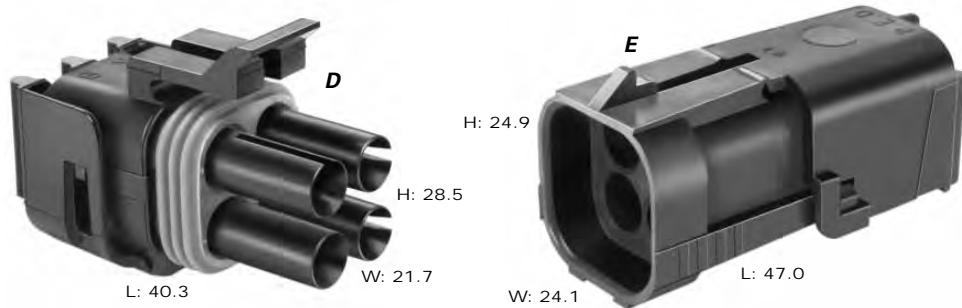
|              |                       |
|--------------|-----------------------|
| Description: | Connector Assembly 3F |
| Size:        | 39.2L x 23.5H x 29.2W |
| Color:       | Black                 |
| Material:    | PA66 HS IM            |
| Terminals:   | See Page 6.16         |
| Seals/Plugs: | See Page 6.16, 6.17   |

**B. Part No: 12020827**

|              |                          |
|--------------|--------------------------|
| Description: | Connector 3M (Clip Slot) |
| Size:        | 46.1L x 20.5H x 31.9W    |
| Color:       | Cream                    |
| Material:    | PA66 HS IM               |
| Terminals:   | See Page 6.17            |
| Seals/Plugs: | See Page 6.16, 6.17      |

**C. Part No: 12020833**

|              |      |
|--------------|------|
| Description: | CPA  |
| Color:       | Gray |
| Material:    | PBT  |



Total Mated Length: 68.3mm

**D. Part No: 12015798**

|              |                       |
|--------------|-----------------------|
| Description: | Connector Assembly 4F |
| Size:        | 40.3L x 28.5H x 21.7W |
| Color:       | Black                 |
| Material:    | PA6                   |
| Terminals:   | See Page 6.16         |
| Seals/Plugs: | See Page 6.16, 6.17   |

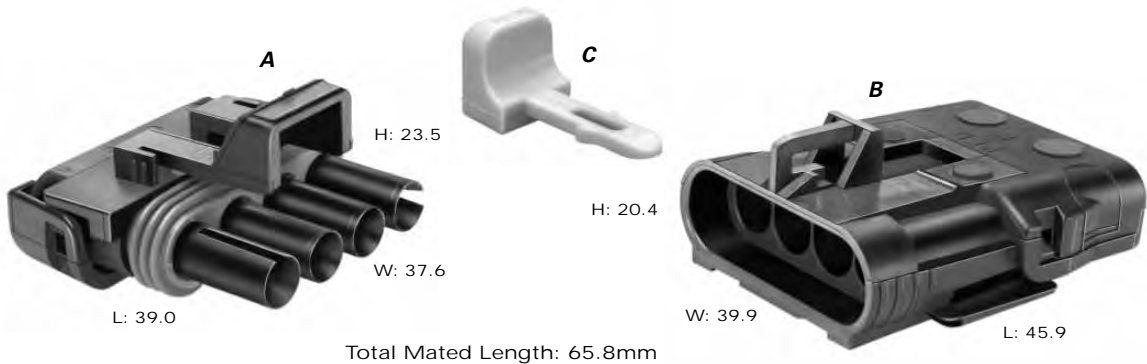
**E. Part No: 12015024**

|              |                          |
|--------------|--------------------------|
| Description: | Connector 4M (Clip Slot) |
| Size:        | 47.0L x 24.9H x 24.1W    |
| Color:       | Black                    |
| Material:    | PA6                      |
| Terminals:   | See Page 6.17            |
| Seals/Plugs: | See Page 6.16, 6.17      |

**NOTE:** Specifications in this catalog are for general reference only and are subject to change without notice. To verify product information, please contact a Delphi representative.



# Weather-Pack

**A. Part No: 12020832**

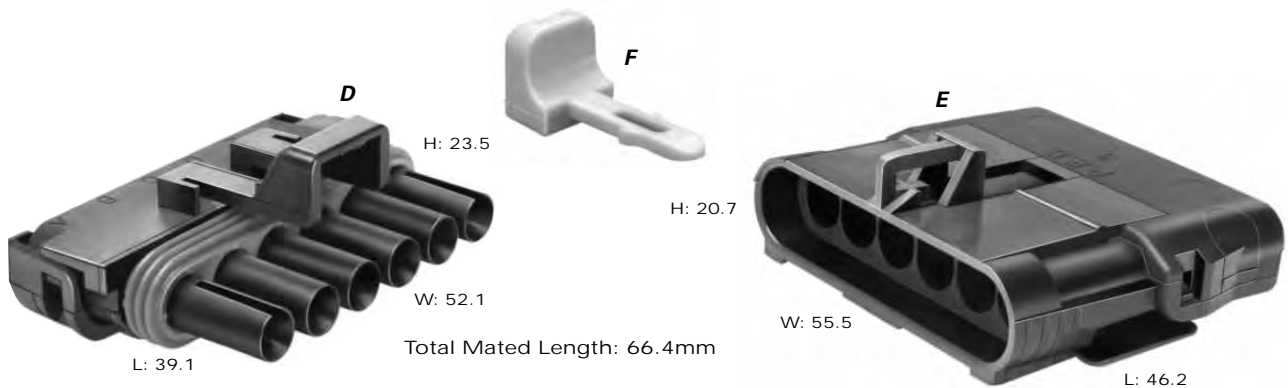
|              |                       |
|--------------|-----------------------|
| Description: | Connector Assembly 4F |
| Size:        | 39.0L x 23.5H x 37.6W |
| Color:       | Black                 |
| Material:    | PA66 HS IM            |
| Terminals:   | See Page 6.16         |
| Seals/Plugs: | See Page 6.16, 6.17   |

**B. Part No: 12020830**

|              |                          |
|--------------|--------------------------|
| Description: | Connector 4M (Clip Slot) |
| Size:        | 45.9L x 20.4H x 39.9W    |
| Color:       | Black                    |
| Material:    | PA66 HS IM               |
| Terminals:   | See Page 6.17            |
| Seals/Plugs: | See Page 6.16, 6.17      |

**C. Part No: 12020833**

|              |      |
|--------------|------|
| Description: | CPA  |
| Color:       | Gray |
| Material:    | PBT  |

**D. Part No: 12020926**

|              |                       |
|--------------|-----------------------|
| Description: | Connector Assembly 6F |
| Size:        | 39.1L x 23.5H x 52.1W |
| Color:       | Black                 |
| Material:    | PA66 HS IM            |
| Terminals:   | See Page 6.16         |
| Seals/Plugs: | See Page 6.16, 6.17   |

**E. Part No: 12020786**

|              |                          |
|--------------|--------------------------|
| Description: | Connector 6M (Clip Slot) |
| Size:        | 46.2L x 20.7H x 55.5W    |
| Color:       | Black                    |
| Material:    | PA66 HS IM               |
| Terminals:   | See Page 6.17            |
| Seals/Plugs: | See Page 6.16, 6.17      |

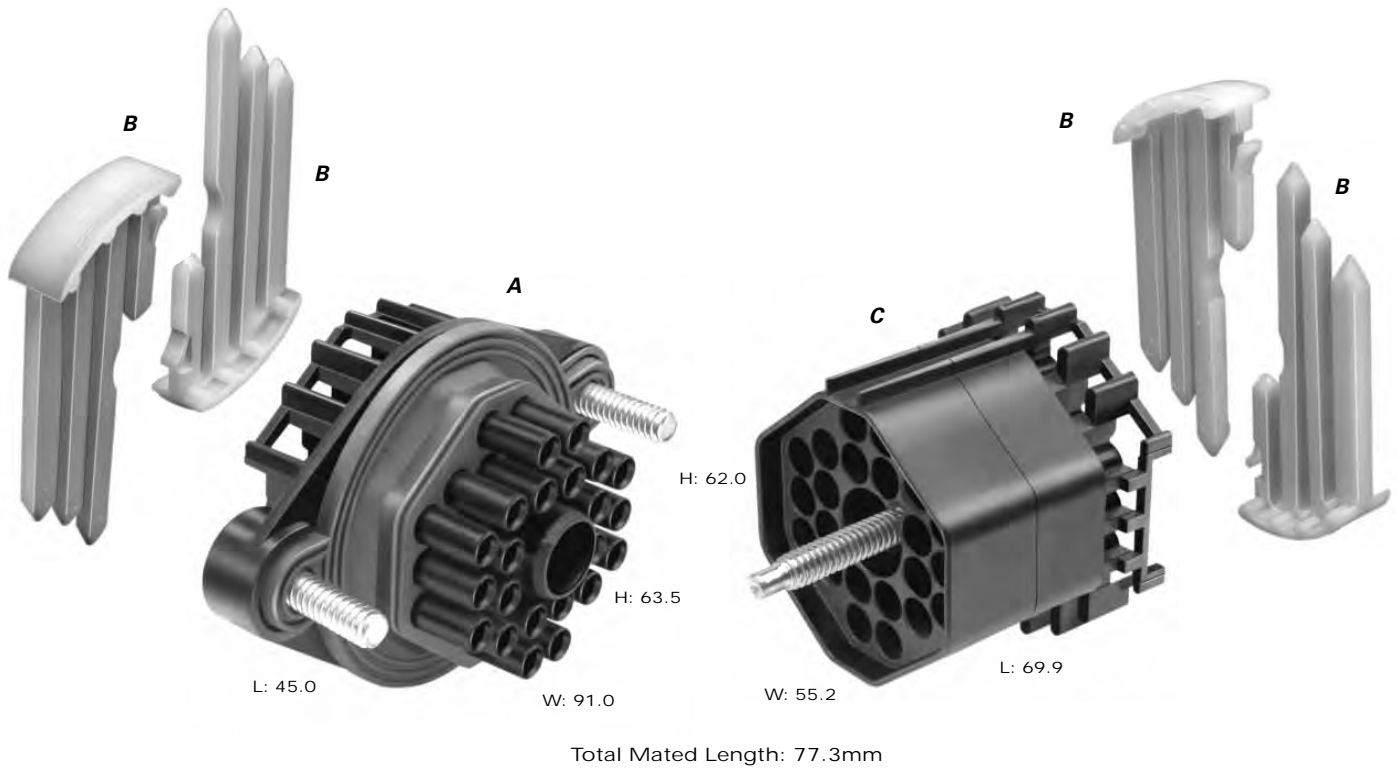
**F. Part No: 12020833**

|              |      |
|--------------|------|
| Description: | CPA  |
| Color:       | Gray |
| Material:    | PBT  |

**NOTE:** Specifications in this catalog are for general reference only and are subject to change without notice. To verify product information, please contact a Delphi representative.



# Weather-Pack



**A. Part No: 15492531**

|              |                        |
|--------------|------------------------|
| Description: | Connector Assembly 22F |
| Size:        | 45.0L x 63.5H x 91.0W  |
| Color:       | Black                  |
| Material:    | PA6                    |
| Terminals:   | See Page 6.16          |
| Seals/Plugs: | See Page 6.16, 6.17    |
| Application: | Pass-Through           |

**B. Part No: 12010852**

|              |                |
|--------------|----------------|
| Description: | Secondary Lock |
| Number Req:  | 4              |
| Color:       | Natural        |
| Material:    | PA6            |

**C. Part No: 15492521**

|              |                        |
|--------------|------------------------|
| Description: | Connector Assembly 22M |
| Size:        | 69.9L x 62.0H x 55.2W  |
| Color:       | Black                  |
| Material:    | PA66 HS IM             |
| Terminals:   | See Page 6.17          |
| Seals/Plugs: | See Page 6.16, 6.17    |
| Application: | Pass-Through           |

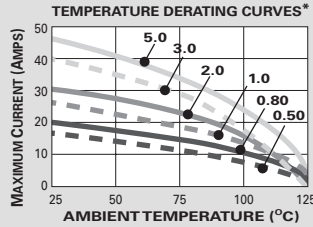
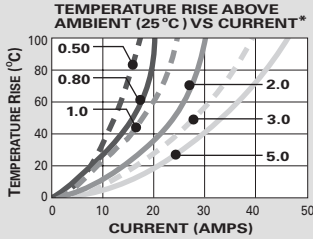
**NOTE:** Specifications in this catalog are for general reference only and are subject to change without notice. To verify product information, please contact a Delphi representative.



# VF Connections

## Unsealed System Application Information

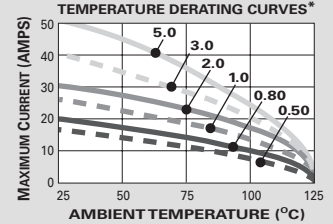
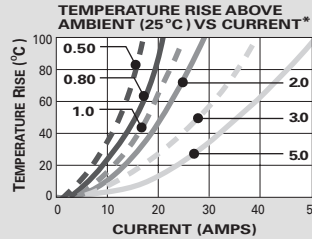
### 280 Series Terminals – Tin Plated



CABLE RANGE (mm<sup>2</sup>): ..... 0.5-2.5  
 CURRENT RANGE (AMPS): ..... 19  
 TEMP RANGE °C: ..... -40 to 125  
 RESISTANCE: ..... <10mΩ@20mV

VOLTAGE DROP: ..... <4.0mV/amp  
 CENTERLINE SPACING (mm): ..... 5.0  
 BLADE WIDTH (mm): ..... 2.8

### 630 Series Terminals – Tin Plated

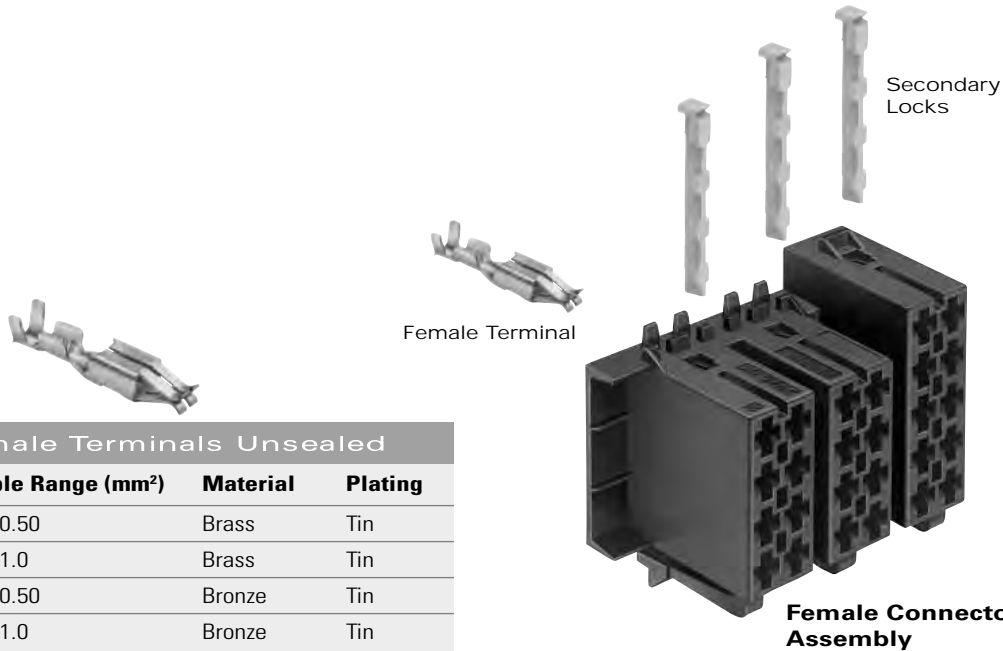


CABLE RANGE (mm<sup>2</sup>): ..... 0.5-2.5  
 CURRENT RANGE (AMPS): ..... 33  
 TEMP RANGE °C: ..... -40 to 135  
 RESISTANCE: ..... <10mΩ@20mV

VOLTAGE DROP: ..... <4.0mV/amp  
 CENTERLINE SPACING (mm): ..... 8.0  
 BLADE WIDTH (mm): ..... 4.8 (6.3 ALSO POSSIBLE)

\*The test data are based on single circuits in free space and were generated using a "Lumped Resistance" model. This model does not account for all of the variables that would be present in an actual application. For actual product performance, contact your regional support representative.

Special Products



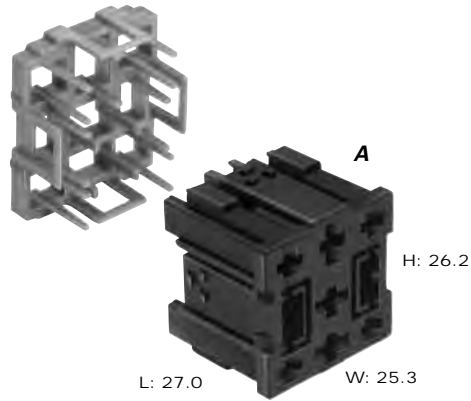
| VF 280 Female Terminals Unsealed |                                |          |         |
|----------------------------------|--------------------------------|----------|---------|
| Part #                           | Cable Range (mm <sup>2</sup> ) | Material | Plating |
| 12157735                         | 1.0-0.50                       | Brass    | Tin     |
| 12197559                         | 2.5-1.0                        | Brass    | Tin     |
| 12198151                         | 1.0-0.50                       | Bronze   | Tin     |
| 12157736                         | 2.5-1.0                        | Bronze   | Tin     |

| VF 630 Female Terminals Unsealed |                                |          |         |
|----------------------------------|--------------------------------|----------|---------|
| Part #                           | Cable Range (mm <sup>2</sup> ) | Material | Plating |
| 15327398                         | 1.0-0.50                       | Bronze   | Tin     |
| 15327399                         | 1.0-0.50                       | STOL 76  | Tin     |
| 15327400                         | 2.5-1.0                        | STOL 76  | Tin     |

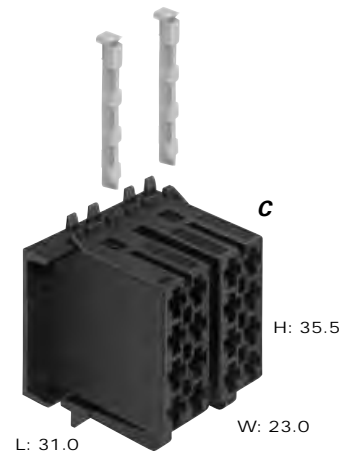
| VF Female Connector Assemblies Unsealed |                |        |             |
|---|----------------|--------|-------------|
| # Cavities                              | Conn. Assembly | Color  | Material    |
| 9                                       | 12198409       | Black  | PA66 15% GF |
| 12                                      | 15327221       | Black  | PA66 HS IM  |
| 16                                      | 15363852       | Black  | PA66        |
| 25                                      | 15363846       | Yellow | PA66        |
| 26                                      | 15327416       | Black  | PA66        |

**NOTE:** Specifications in this catalog are for general reference only and are subject to change without notice. To verify product information, please contact a Delphi representative.

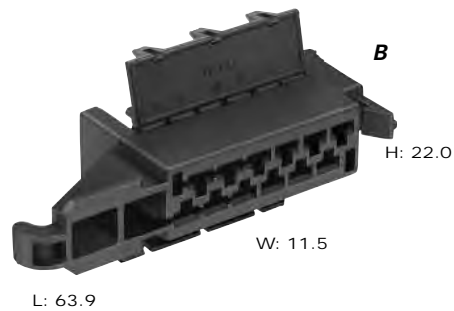
# VF Connections


**A. Part No: 12198409**

|              |                       |
|--------------|-----------------------|
| Description: | Connector Assembly 9F |
| Size:        | 27.0L x 26.2H x 25.3W |
| Color:       | Black                 |
| Material:    | PA66 15% GF           |
| Terminals:   | See Page 6.22         |
| Typical App: | Relay Base            |


**C. Part No: 15363852**

|              |                        |
|--------------|------------------------|
| Description: | Connector Assembly 16F |
| Size:        | 31.0L x 35.5H x 23.0W  |
| Color:       | Black                  |
| Material:    | PA66                   |
| Terminals:   | See Page 6.22          |
| Typical App: | Radio                  |

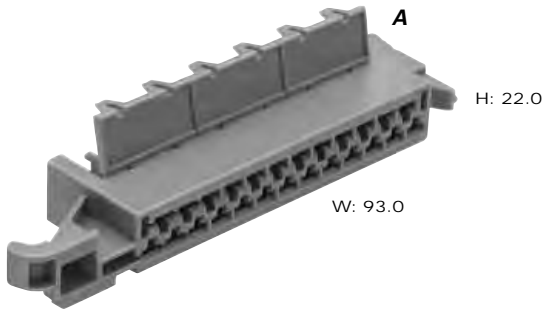

**B. Part No: 15327221**

|              |                        |
|--------------|------------------------|
| Description: | Connector Assembly 12F |
| Size:        | 63.9L x 22.0H x 11.5W  |
| Color:       | Black                  |
| Material:    | PA66 HS IM             |
| Terminals:   | See Page 6.22          |
| Typical App: | Turn Lights            |

**NOTE:** Specifications in this catalog are for general reference only and are subject to change without notice. To verify product information, please contact a Delphi representative.



# VF Connections



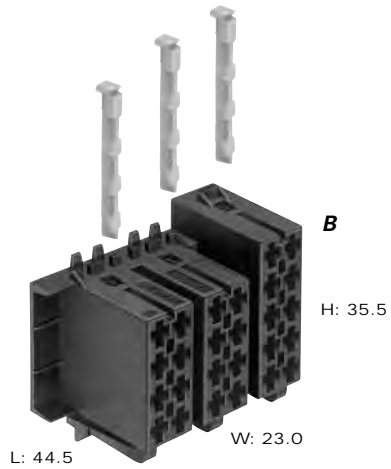
L: 11.7

W: 93.0

H: 22.0

**A. Part No: 15363846**

|              |                       |
|--------------|-----------------------|
| Description: | Connector 25F         |
| Size:        | 93.0L x 22.0H x 11.7W |
| Color:       | Yellow                |
| Material:    | PA66                  |
| Terminals:   | See Page 6.22         |
| Typical App: | Alarm                 |



L: 44.5

W: 23.0

H: 35.5

**B. Part No: 15327416**

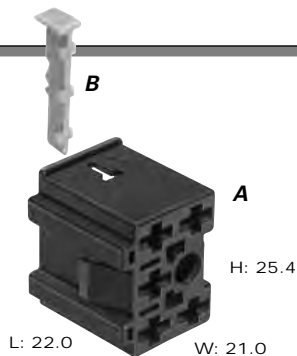
|              |                        |
|--------------|------------------------|
| Description: | Connector Assembly 26F |
| Size:        | 44.5L x 35.5H x 23.0W  |
| Color:       | Black                  |
| Material:    | PA66                   |
| Terminals:   | See Page 6.22          |
| Typical App: | Radio                  |

**NOTE:** Specifications in this catalog are for general reference only and are subject to change without notice. To verify product information, please contact a Delphi representative.





# VF Device Connections

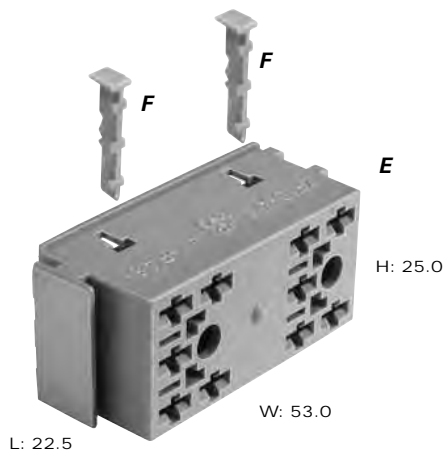


**A. Part No: 15344630**

Description: Connector 5F  
 Size: 22.0L x 25.4H x 21.0W  
 Color: Black  
 Material: PA66  
 Terminals: See Page 6.22  
 Typical App: 5-Way Switch

**B. Part No: 12147500**

Description: Secondary Lock  
 Color: Yellow  
 Material: PA66 25% GF

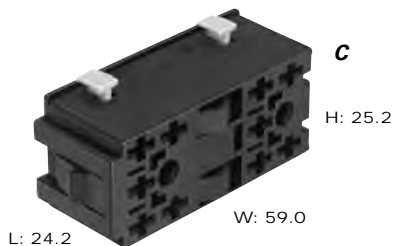


**E. Part No: 12185521**

Description: Connector 10F  
 Size: 22.5L x 25.0H x 53.0W  
 Color: Blue  
 Material: PA6  
 Terminals: See Page 6.22  
 Typical App: Double 5-Way Switch

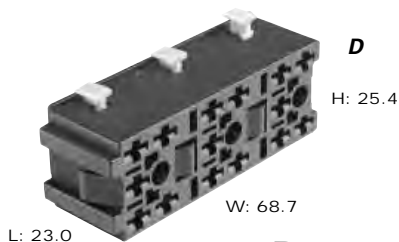
**F. Part No: 12185243**

Description: Secondary Lock  
 Number Req: 2  
 Color: Gray  
 Material: PA6 15% GF



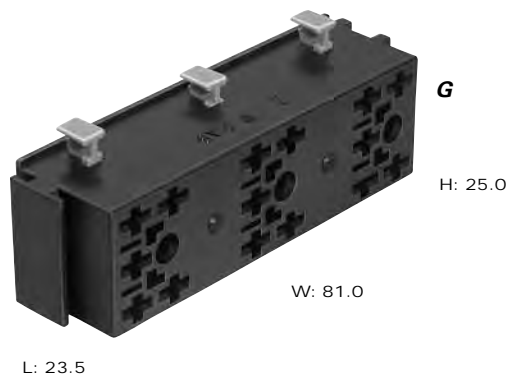
**C. Part No: 12147496**

Description: Connector Assembly 10F  
 Size: 24.2L x 25.2H x 59.0W  
 Color: Black  
 Material: PA66  
 Terminals: See Page 6.22  
 Typical App: Double 5-Way Switch



**D. Part No: 12147497**

Description: Connector Assembly 15F  
 Size: 23.0L x 25.4H x 68.7W  
 Color: Black  
 Material: PA66  
 Terminals: See Page 6.22  
 Typical App: Triple 5-Way Switch



**G. Part No: 10740413**

Description: Connector Assembly 15F  
 Size: 23.5L x 25.0H x 81.0W  
 Color: Black  
 Material: PA6  
 Terminals: See Page 6.22  
 Typical App: Triple 5-Way Switch

**NOTE:** Specifications in this catalog are for general reference only and are subject to change without notice. To verify product information, please contact a Delphi representative.

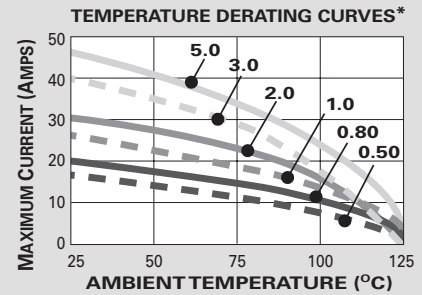
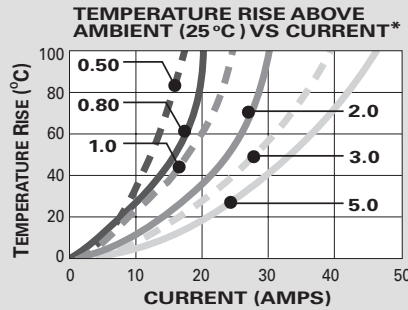


# DS Connections

## Sealed System Application Information

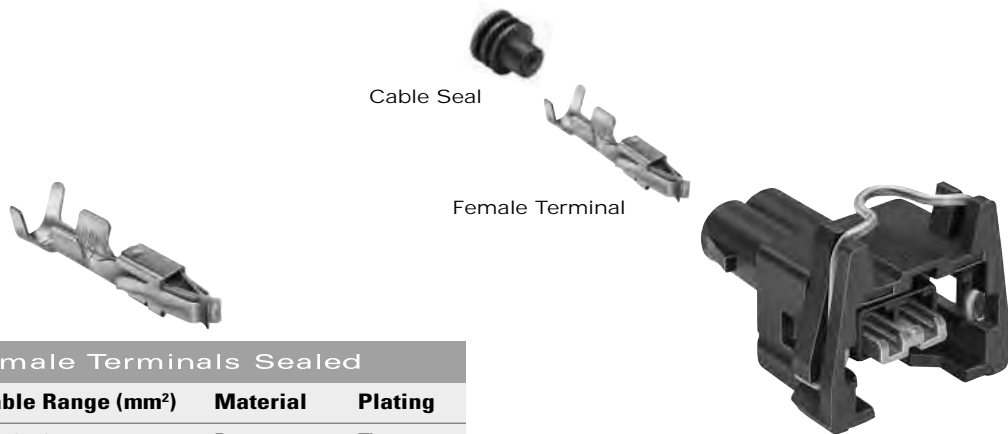
CABLE RANGE (mm<sup>2</sup>): ..... 0.5-2.5  
 CURRENT RANGE (AMPS): ..... 19  
 TEMP RANGE °C: ..... -40 to 125  
 RESISTANCE: ..... <10mΩ@20mV  
 VOLTAGE DROP: ..... <4.0mV/amp  
 CENTERLINE SPACING (mm): ..... 5.0  
 BLADE WIDTH (mm): ..... 2.8

### 280 Series Terminals – Tin Plated



\*The test data are based on single circuits in free space and were generated using a "Lumped Resistance" model. This model does not account for all of the variables that would be present in an actual application. For actual product performance, contact your regional support representative.

Special Products



| DS 280 Female Terminals Sealed |                                |          |         |
|--------------------------------|--------------------------------|----------|---------|
| Part #                         | Cable Range (mm <sup>2</sup> ) | Material | Plating |
| 12157739                       | 1.0-0.50                       | Bronze   | Tin     |
| 12157740                       | 2.5-1.0                        | Bronze   | Tin     |
| 15327192                       | 1.0-0.50                       | Bronze   | Tin     |
| 12198103                       | 2.5-1.0                        | Bronze   | Tin     |

**Female Connector Assembly**



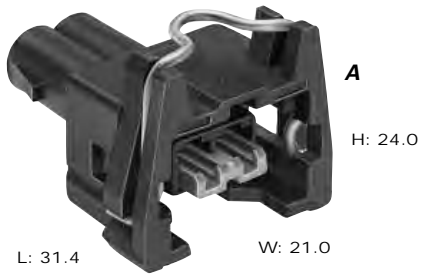
| DS 280 Cable Seals |              |            |          |        |
|--------------------|--------------|------------|----------|--------|
| Reel Part #        | Loose Part # | Cable Dia. | Material | Color  |
| 12015360           | 10720851     | 4.30-3.45  | Silicone | Blue   |
| 12015359           | 15324980     | 3.49-2.81  | Silicone | Gray   |
| 12015284           | 15324982     | 2.85-2.03  | Silicone | Green  |
| 12041352           | 15324984     | 2.42-2.03  | Silicone | Tan    |
| 12089444           | 15324985     | 2.15-1.60  | Silicone | Purple |
| 12034365           | 15324983     | 1.70-1.29  | Silicone | Dk.Red |

| DS Female Connector Assemblies Sealed |                |        |             |
|---------------------------------------|----------------|--------|-------------|
| # Cavities                            | Conn. Assembly | Color  | Material    |
| 2                                     | 12196895       | Black  | PA66 30% GF |
| 2                                     | 15364309       | Black  | PA66 30% GF |
| 3                                     | 12158456       | Black  | PA66 30% GF |
| 3                                     | 15364318       | Yellow | PA66 30% GF |
| 5                                     | 12158457       | Black  | PA66 30% GF |

**NOTE:** Specifications in this catalog are for general reference only and are subject to change without notice. To verify product information, please contact a Delphi representative.



# DS Connections



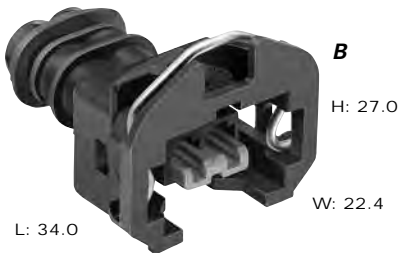
**A. Part No: 12196895**

|              |                       |
|--------------|-----------------------|
| Description: | Connector Assembly 2F |
| Size:        | 31.4L x 24.0H x 21.0W |
| Color:       | Black                 |
| Material:    | PA66 30% GF           |
| Terminals:   | See Page 6.26         |
| Seals:       | See Page 6.26         |
| Typical App: | Injector              |



**D. Part No: 12158456**

|              |                       |
|--------------|-----------------------|
| Description: | Connector Assembly 3F |
| Size:        | 31.4L x 29.0H x 21.0W |
| Color:       | Black                 |
| Material:    | PA66 30% GF           |
| Terminals:   | See Page 6.26         |
| Seals:       | See Page 6.26         |
| Typical App: | Fuel Pump             |



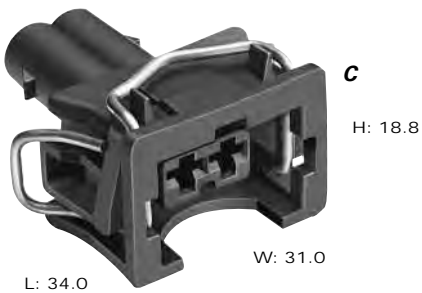
**B. Part No: 15364309**

|              |                       |
|--------------|-----------------------|
| Description: | Connector Assembly 2F |
| Size:        | 34.0L x 27.0H x 22.4W |
| Color:       | Black                 |
| Material:    | PA66 30% GF           |
| Terminals:   | See Page 6.26         |
| Seals:       | See Page 6.26         |
| Typical App: | Injector              |



**E. Part No: 15364318**

|              |                       |
|--------------|-----------------------|
| Description: | Connector Assembly 3F |
| Size:        | 34.0L x 32.0H x 23.4W |
| Color:       | Black                 |
| Material:    | PA66 30% GF           |
| Terminals:   | See Page 6.26         |
| Seals:       | See Page 6.26         |
| Typical App: | Fuel Pump             |



**C. Part No: 12084126**

|              |                       |
|--------------|-----------------------|
| Description: | Connector Assembly 2F |
| Size:        | 34.0L x 18.8H x 31.0W |
| Color:       | Black                 |
| Material:    | PA66 30% GF           |
| Terminals:   | See Page 6.26         |
| Typical App: | Injector              |



**F. Part No: 12158457**

|              |                       |
|--------------|-----------------------|
| Description: | Connector Assembly 5F |
| Size:        | 31.4L x 39.0H x 21.0W |
| Color:       | Black                 |
| Material:    | PA66 30% GF           |
| Terminals:   | See Page 6.26         |
| Seals:       | See Page 6.26         |
| Typical App: | Ignition System       |

**NOTE:** Specifications in this catalog are for general reference only and are subject to change without notice. To verify product information, please contact a Delphi representative.

