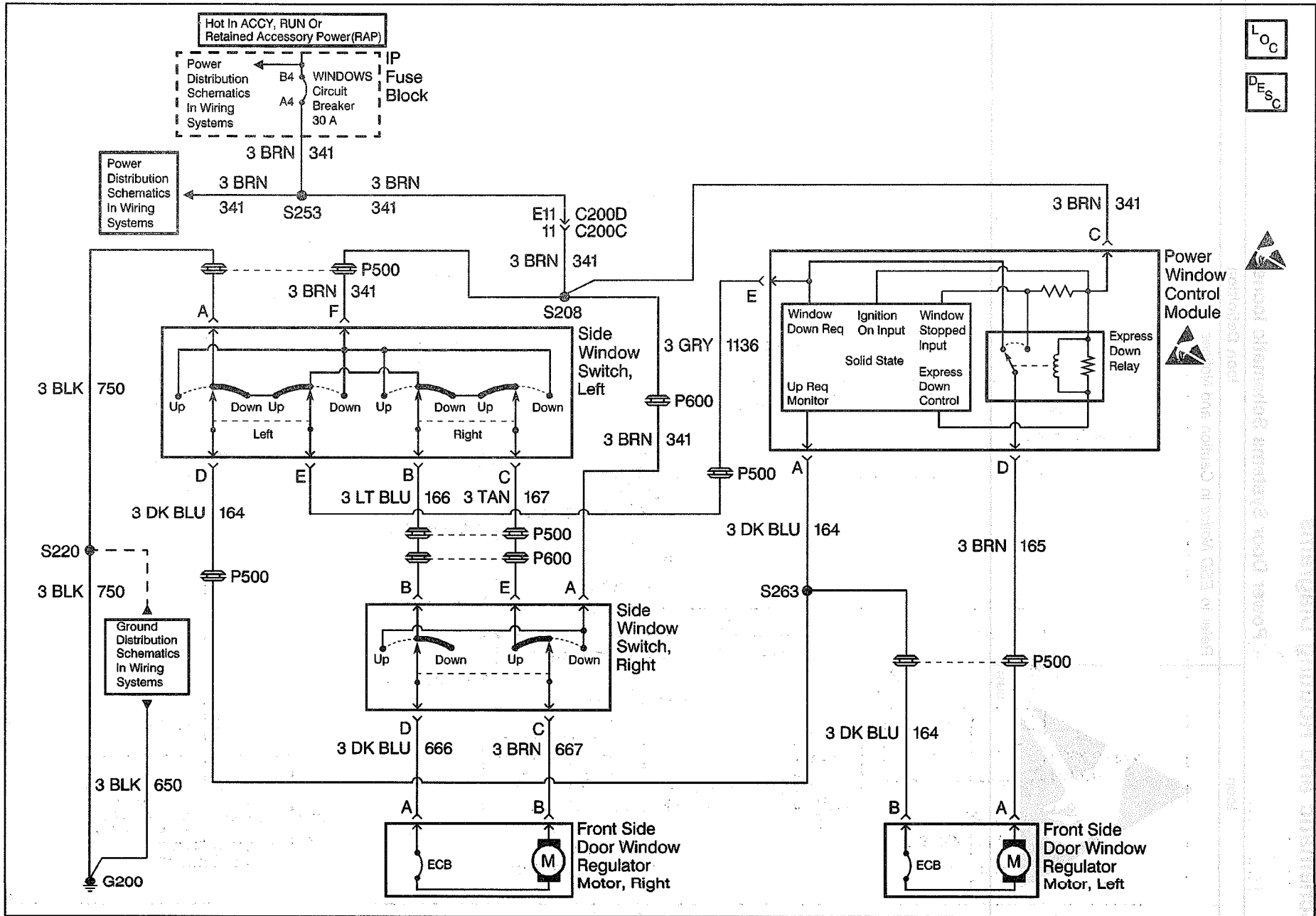


# Power Window Schematics (Power Window Control Module and Window Switches)



LOC  
DESC

8-880 Doors

Body and Accessories