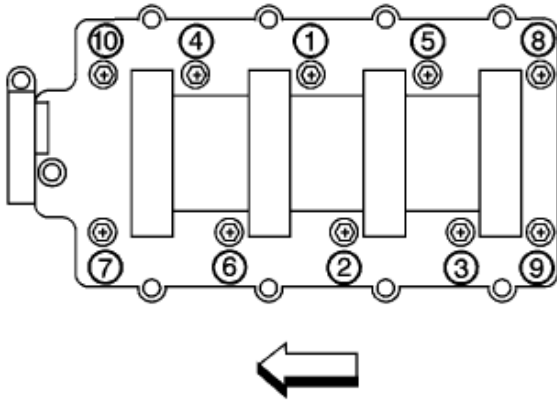
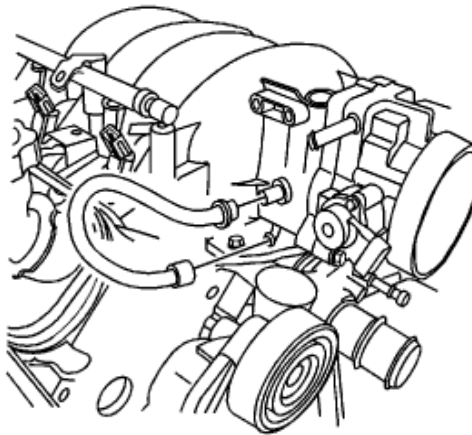


7. Apply threadlock GM P/N 12345382 (Canadian P/N 10953489), or equivalent to the threads of the intake manifold bolts (1).
8. **CAUTION:** Refer to Fuel Rail Stop Bracket Installation Caution in Service Precautions. Install the fuel rail stop bracket (2).
9. Install the intake manifold bolts (1).



-
10. **Notice:** Refer to Fastener Notice in Service Precautions. Tighten the intake manifold bolts.

- 1 Tighten the intake manifold bolts a first pass in sequence to **5 Nm (44 inch lbs.)**.
- 2 Tighten the intake manifold bolts a second pass in sequence to **10 Nm (89 inch lbs.)**.



-
11. Install the PCV hose to the valley cover and intake manifold.