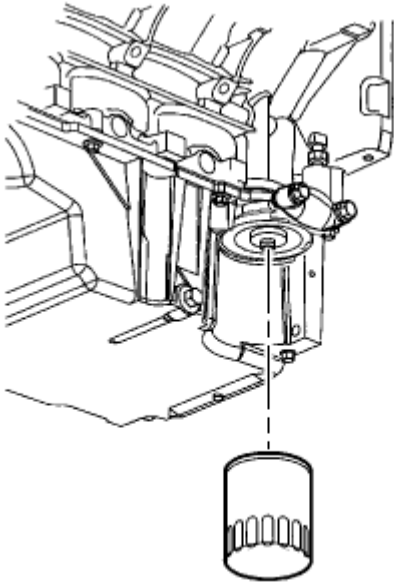
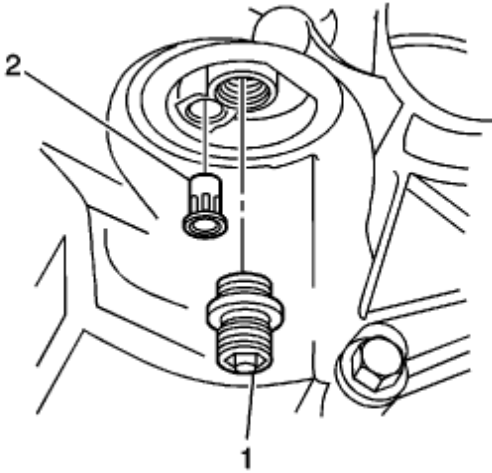


Oil Filter Bypass Valve Replacement Removal Procedure

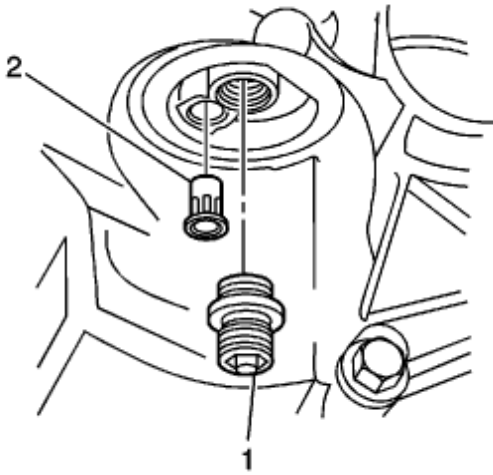


1. Drain the engine oil.
2. Remove the [oil filter](#).



3. Remove the [oil filter adapter](#) 1.
4. Remove the oil filter bypass valve 2.

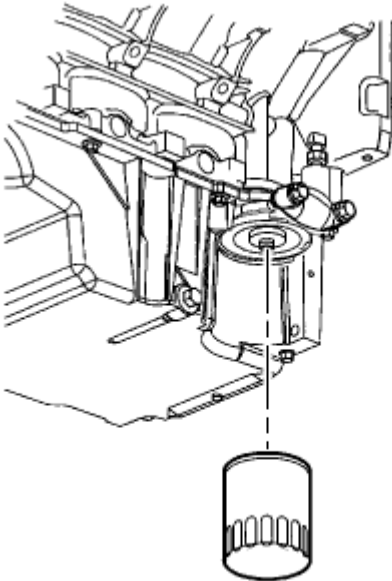
Installation Procedure



-
1. Install the oil filter bypass valve 2.

Notice: Refer to Fastener Notice in Service Precautions.

2. Install the oil filter adapter 1. Tighten the oil filter adapter to **55 Nm (40 ft. lbs.)**.



-
3. Install the oil filter. Tighten the oil filter to **30 Nm (22 ft. lbs.)**.
 4. Refill the engine oil.