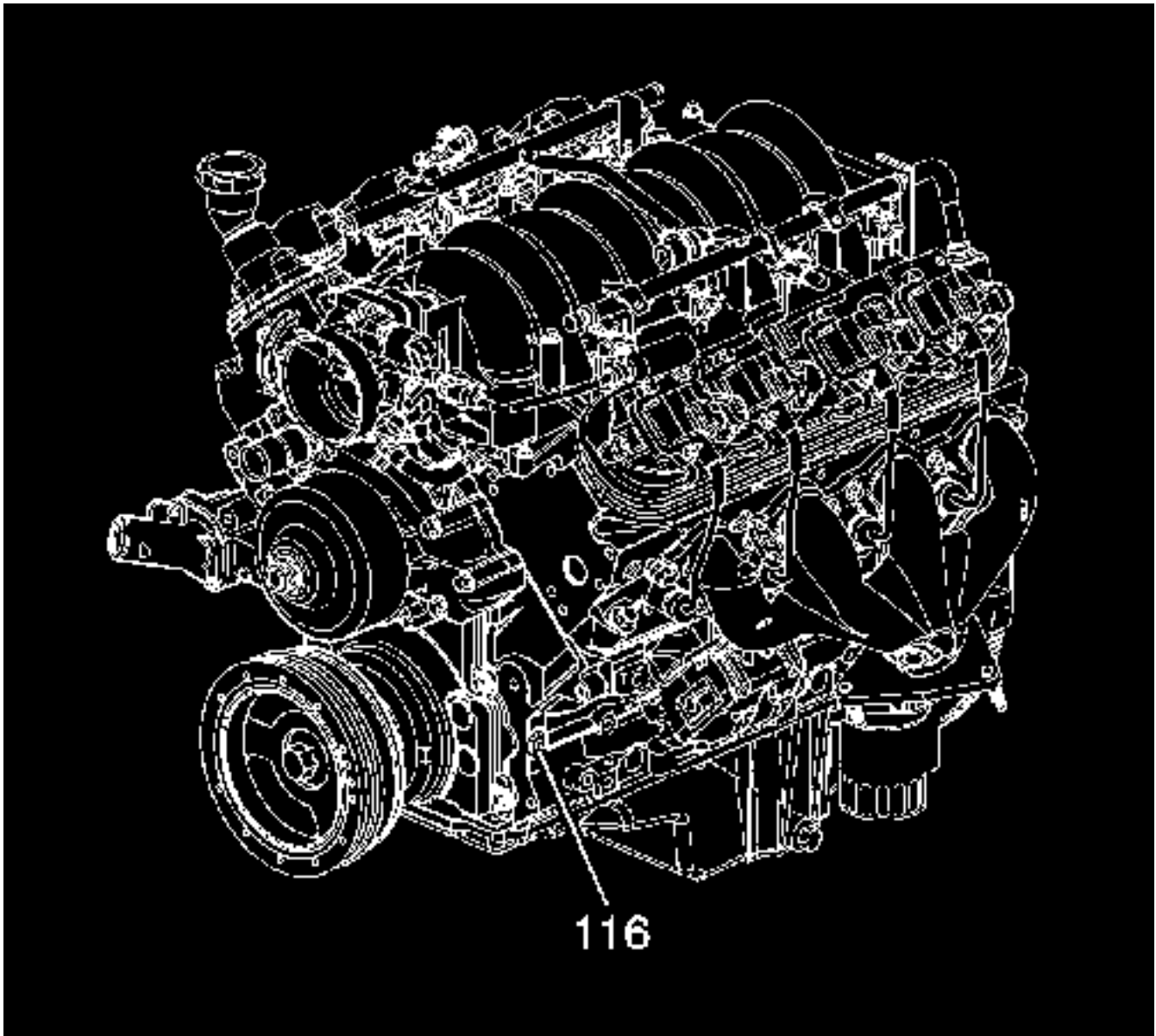


Engine Prelubing

Tools Required

[J 45299](#) Engine Preluber



Important

A constant and continuous flow of clean engine oil is required in order to properly prime the engine. Be sure to use an approved engine oil as specified in the owners manual.

1. Remove the engine oil filter and fill with clean engine oil.

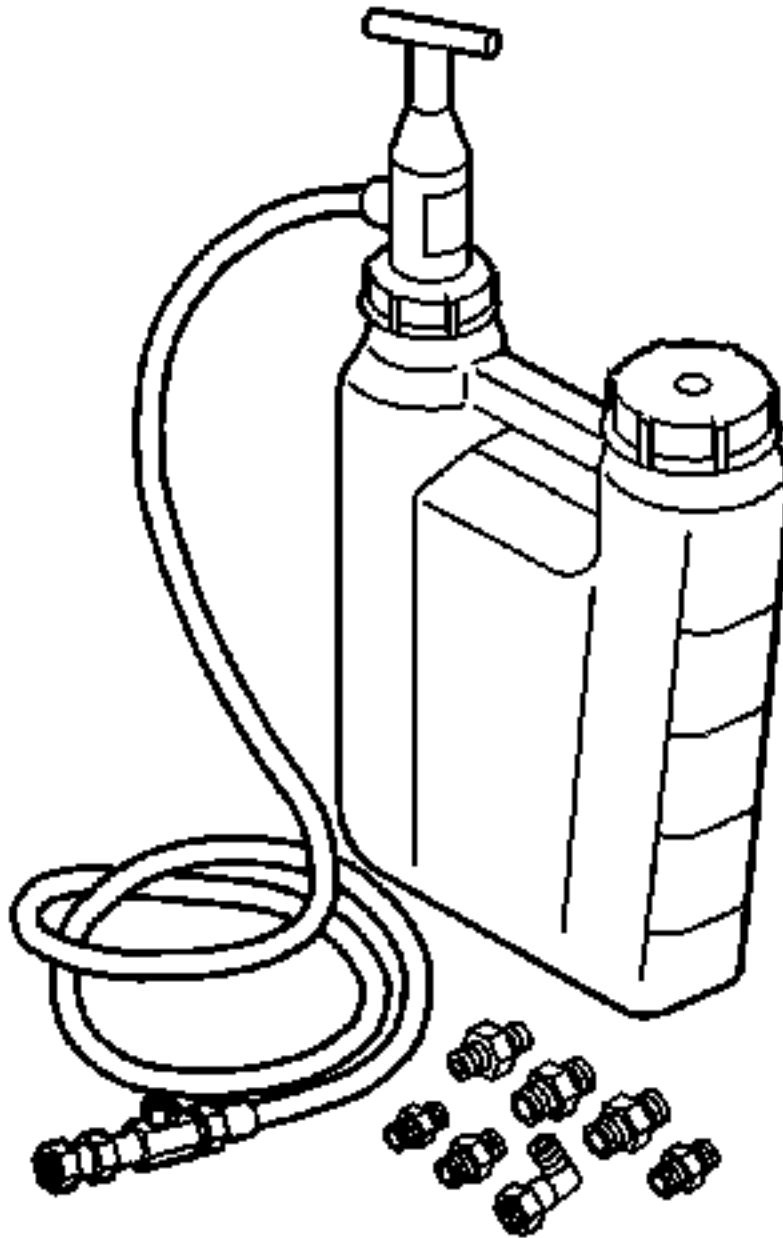
Notice

Use the correct fastener in the correct location. Replacement fasteners must be the correct part number for that application. Fasteners requiring replacement or fasteners requiring the use of thread locking compound or sealant are identified in the service procedure. Do not use paints, lubricants, or corrosion inhibitors on fasteners or fastener joint surfaces unless specified. These coatings affect fastener torque and joint clamping force and may damage the fastener. Use the correct tightening sequence and specifications when installing fasteners in order to avoid damage to parts and systems.

2. Install the oil filter. **Tighten**

Tighten the oil filter to 30 N·m (22 lb ft).

3. Locate the engine block left front oil gallery plug (116).
4. Install the M16 x 1.5 adapter P/N 509375.



5. Install the flexible hose to the adapter and open the valve.
6. Pump the handle on the [J 45299](#) in order to flow a minimum of 1-1.9 liters (1-2 quarts) engine oil. Observe the flow of engine oil through the flexible hose and into the engine assembly.
7. Close the valve and remove the flexible hose and adapter from the engine.
8. Install the gallery plug to the engine. **Tighten**

Tighten the oil gallery plug to 60 N·m (44 lb ft).

9. Top-off the engine oil to the proper level.