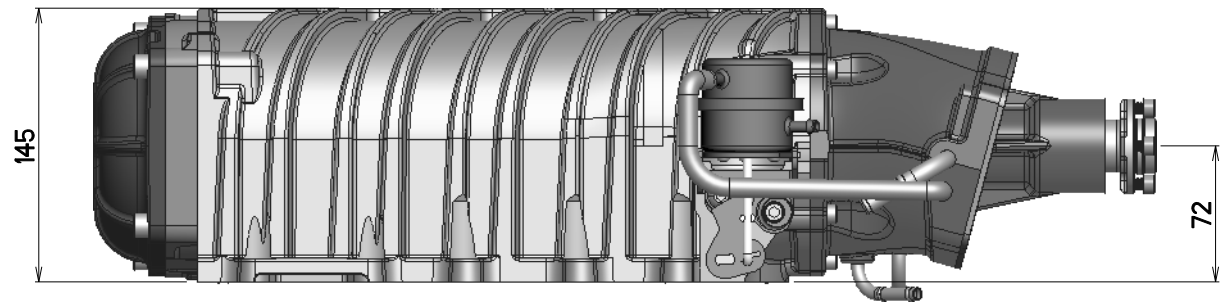
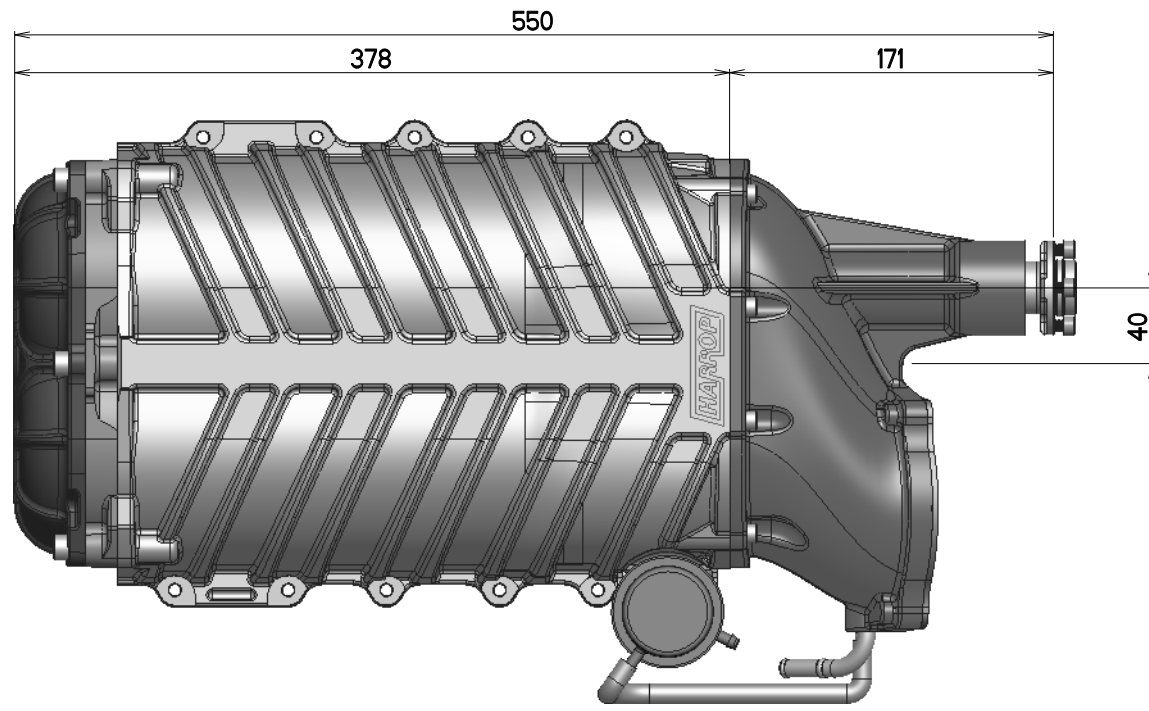
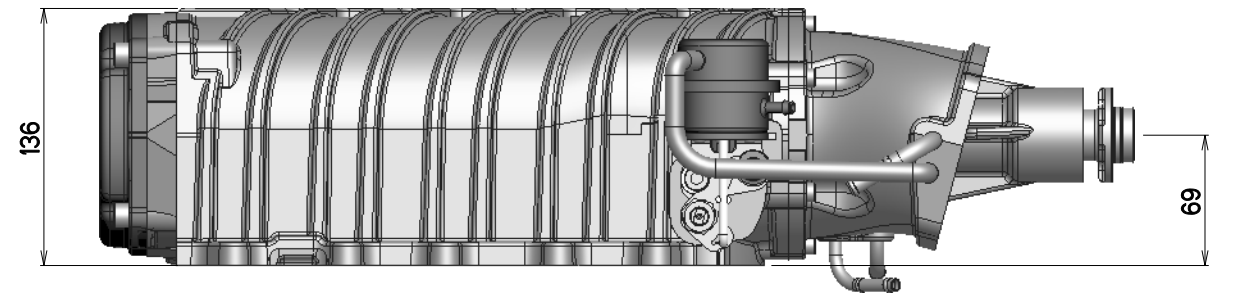
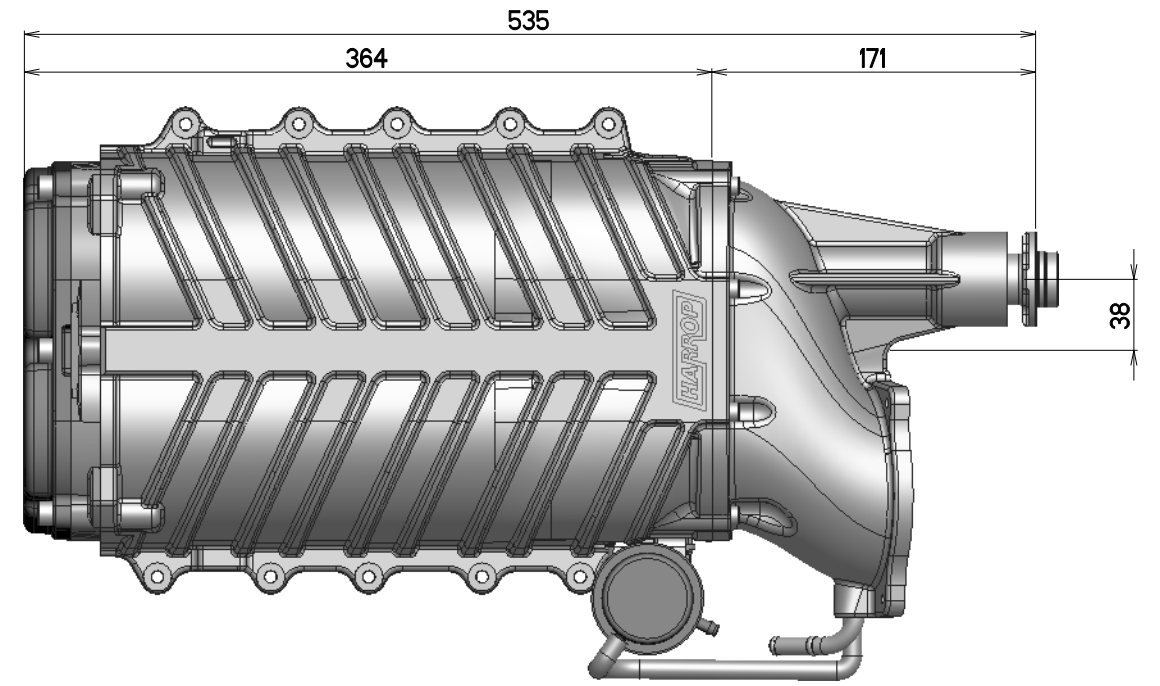


NAME:CLAYTON OBJECT:2650_VS_2300_FDFI DATE: 5-Dec-17 14:07:25

FDFI 2650



FDFI 2300



-REMOVE ALL SHARP EDGES AND
BURRS UNLESS OTHERWISE STATED
-ALL INTERNAL CORNERS TO BE
R0.8 UNLESS OTHERWISE STATED

MASS = kg (at S.G.)

0	-	-	FOR PRODUCTION	CS	05-Dec-17		
ISSUE	ECN #	SYM	REVISIONS	DRN	DATE	CHK	DATE
			HARROP ENGINEERING AUSTRALIA PTY. LTD. 96 BELL ST PRESTON, 3072 VICTORIA, AUSTRALIA Ph. (613) 9474-0900 Fax. (613) 9474-0999	COPYRIGHT APPLIES Duplication of this drawing or any specific design features is not permitted without written authority. "Commercial Confidentiality" is assumed and required.		UNSTATED TOLERANCES LINEAR 0 ± 0.25 0.0 ± 0.1 0.00 ± 0.05 ANGULAR 0.0 ± 0.5° 0.00 ± 0.05°	
MATERIAL REFER TABLE				Pro/ENGINEER DIGITAL DATA AVAILABLE			
FINISH REFER TABLE				SCALE 0.25 ON A3			
				SHEET 1 OF 1			

FDFI2650 VS. FDFI2300

FILE ..\HARROP\SUPERCHARGERS\2650_VS_2300_FDFI

DRAWING

1

2

3

4

5

A3