

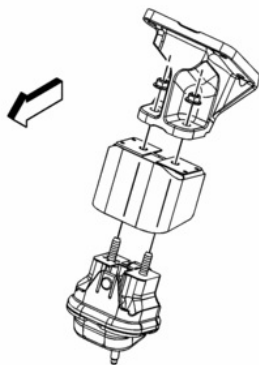
2006 Chevrolet IMPALA

Submodel: SS | Engine Type: V8 | Liters: 5.3

Fuel Delivery: FI | Fuel: GAS

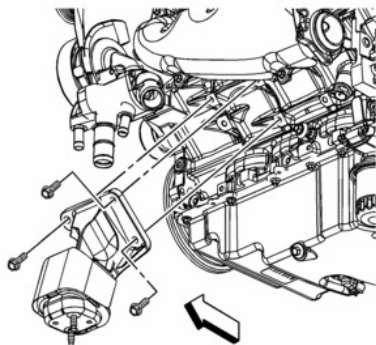
Engine Mount Replacement - Left Side

Removal Procedure



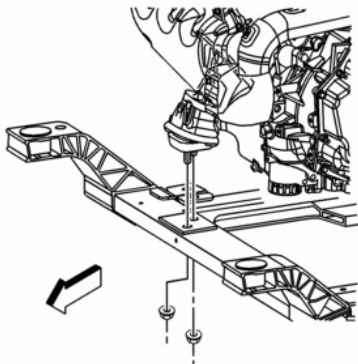
[Click to Enlarge](#)

1. Remove the engine mount strut. Refer to Engine Mount Strut Replacement .
2. Remove the left exhaust manifold. Refer to Exhaust Manifold Replacement - Left Side .
3. Remove the upper engine mount nuts.
4. Install the engine support fixture. Refer to Engine Support Fixture .
5. Using the engine support fixture, raise the engine .



[Click to Enlarge](#)

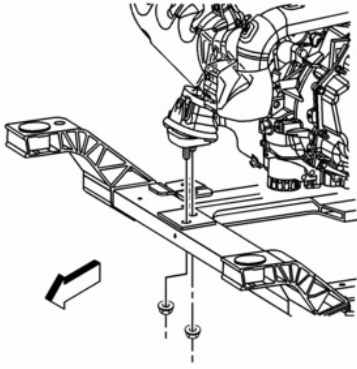
6. Remove the engine mount bracket bolts.
7. Remove the engine mount bracket.
8. Raise and support the vehicle. Refer to Lifting and Jacking the Vehicle .



[Click to Enlarge](#)

9. Remove the lower engine mount nuts.
10. Remove the engine mount.
11. Remove the engine mount heat shield, if necessary.

Installation Procedure



[Click to Enlarge](#)

1. Install the engine mount heat shield, if necessary.
2. Install the engine mount to the engine.

Caution!

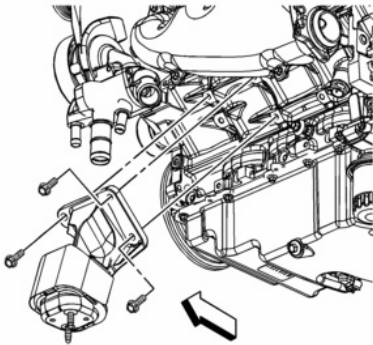
Refer to Fastener Notice in Cautions and Notices.

3. Install the lower engine mount nuts.

Tighten

Tighten the nuts to 50 N-m (37 lb ft).

4. Lower the vehicle.

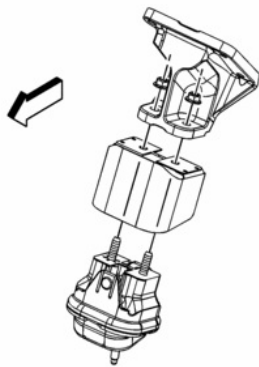


[Click to Enlarge](#)

5. Install the engine mount bracket.
6. Install the engine mount bracket bolts.

Tighten

Tighten the bolts to 50 N-m (37 lb ft).



[Click to Enlarge](#)

7. Using the engine support fixture, lower the engine .
8. Remove the engine support fixture.
9. Install the upper engine mount nuts.

Tighten

Tighten the nuts to 50 N-m (37 lb ft).

10. Install the left exhaust manifold. Refer to Exhaust Manifold Replacement - Left Side .
11. Install the engine mount strut. Refer to Engine Mount Strut Replacement .