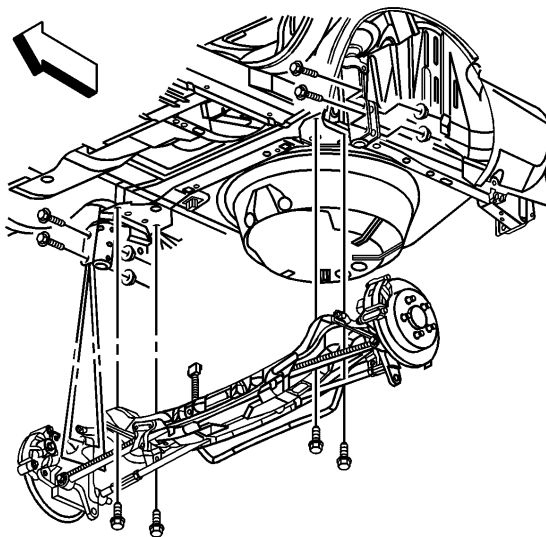


# Support Replacement

## Removal Procedure

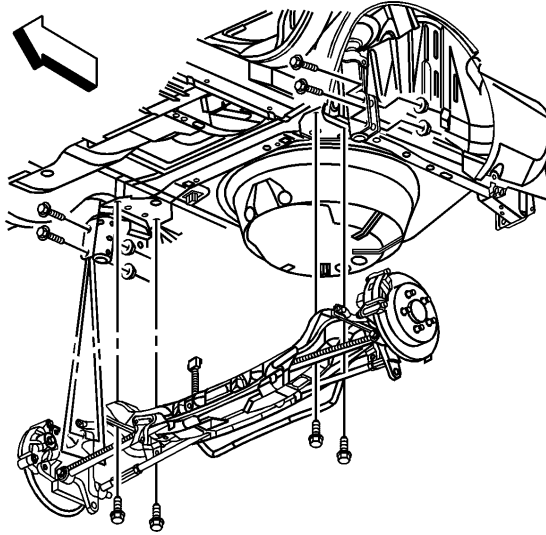
1. Raise and support the vehicle. Refer to [Lifting and Jacking the Vehicle](#) .
2. Remove the rear tires and wheels. Refer to [Tire and Wheel Removal and Installation](#) .
3. Remove the exhaust pipe. Refer to [Muffler Replacement](#) .
4. Disconnect the brake lines from the rear suspension support. Refer to [Rear Brake Hose Replacement](#) .
5. Disconnect the parking brake cables and tensioner from the suspension support. Refer to [Parking Brake Rear Cable Replacement - Left Side](#) and [Parking Brake Rear Cable Replacement - Right Side](#) .
6. Remove the stabilizer shaft from the rear suspension support. Refer to [Stabilizer Shaft Replacement](#) .

**Important:** Support the rear suspension support with jack stands before removing the mounting bolts.



7. Remove the rear wheel spindle rod bolts from the knuckle.
8. Remove the rear suspension support mounting bolts.
9. Remove the rear suspension support.

## Installation Procedure



1. Position the rear suspension support in place.
2. Install 2 locating pins in the suspension support alignment holes, one on each side of the suspension support.

**Notice:** Refer to [Fastener Notice](#) in the Preface section.

3. Install the rear suspension support mounting bolts.

### **Tighten**

Tighten the bolts to 110 N·m (81 lb ft).

4. Remove the locating pins from the suspension support alignment holes.
5. Position the rear wheel spindle rod to the knuckle.

Install the retaining bolts and nuts to the knuckle.

### **Tighten**

Tighten the bolts and nuts to 150 N·m (110 lb ft).

6. Install the stabilizer shaft to the rear suspension support. Refer to [Stabilizer Shaft Replacement](#) .
7. Connect the brake lines to the rear suspension support. Refer to [Rear Brake Hose Replacement](#) .
8. Install the parking brake cables and the tensioner. Refer to [Parking Brake Rear Cable Replacement - Left Side](#) and [Parking Brake Rear Cable Replacement - Right Side](#) .

9. Install the exhaust pipe. Refer to [Muffler Replacement](#) .
10. Install the Tires and Wheels. Refer to [Tire and Wheel Removal and Installation](#) .
11. Lower the vehicle.
12. Adjust the rear wheel alignment. Refer to [Wheel Alignment Measurement](#) .