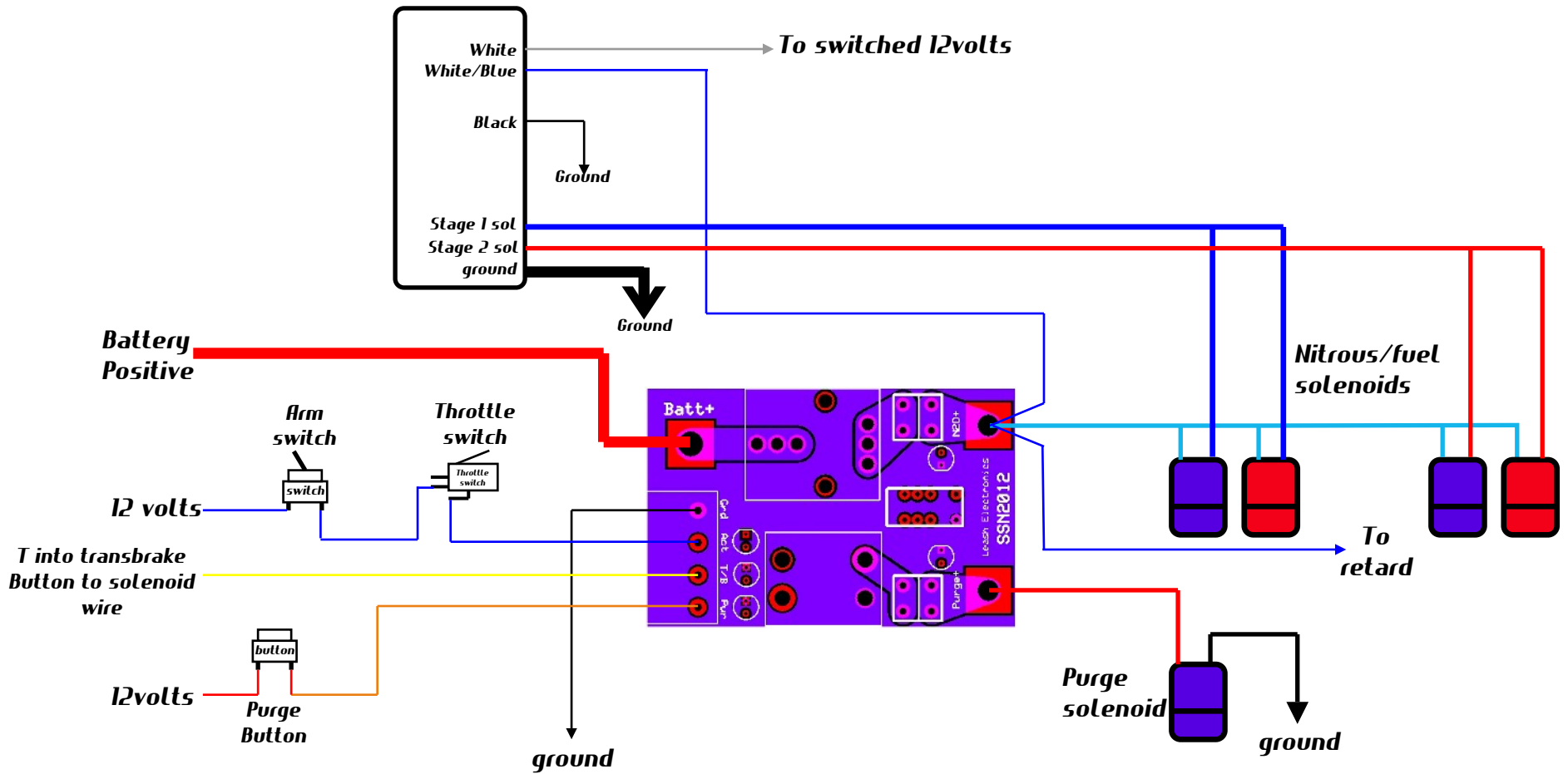


# NOS Launcher



**Input on Launcher needs to be set to positive trigger  
Transbrake safety relay built into board**

**Purge relay can be used for other uses if not used for  
purge. Like transbrake, fuel pump, ect...  
If you need any help on the install you  
can email me at [onebadturbota@yahoo.com](mailto:onebadturbota@yahoo.com)**